

SPAR-Marathon ROOFING SUPPLIES

A division of Spar Roofing & Metal Supplies Limited

POWER GRAVELER

Instruction and safety information

Read before operating the Power Graveler



88 Signet Drive
Weston, ON M9L 1T3
Tel: (416) 744-2050
Fax: (416) 744-4247

• Pickering, ON

• Toronto (Bloor St.), ON

• Toronto (Wade Ave.), ON

• Weston (Weston Rd.), ON

• Weston (Signet Dr.), ON

• Barrie, ON

• Oakville, ON

• Hamilton, ON

• London, ON

• Edmonton, AB

• Calgary, AB

• Winnipeg, MB

• Bensenville (Chicago), IL

WEB SITE: www.sparmarathonroofing.com

WARNING

Misuse of this equipment may result in damage or injury. It is the responsibility of the purchaser to ensure that the personnel operating the machine is trained in the proper operating procedures and all safety regulations.

The employer shall permit only these employees qualified by training or experience to operate equipment and machinery.

The employer shall instruct each employee in the recognition and avoidance of unsafe conditions and the regulations applicable to the work environment, to control or eliminate any hazards or other exposure to illness or injury.

Regulations governing the use, selection, and maintenance of personal protective and lifesaving equipment as stated in safety regulations shall be followed.

Do not operate on a roof without a perimeter warning system or barrier.

SAFETY PRECAUTIONS

1. When using this equipment, safety shoes, full-face shield and proper clothing should be worn to protect the operator from flying debris.
2. Do not operate this equipment within 10 feet of the roof edge.
3. When on-deck equipment is being used, perimeter warning lines must be set up 10 feet from the roof edge, and around all roof openings.
4. Follow local code requirements.
5. Never leave machine unattended when engine is running.
6. Shut off the engine before refuelling, checking, making adjustments or repairs.
7. Keep hands and feet clear of moving parts at all times.
8. Do not operate unless all safety covers and guards are in position.


OPERATOR TRAINING

1. Before being allowed to use this or any piece of equipment, the operator should first fully understand all proper operating procedures. Special attention should be paid to the control locations and functions, all warning messages, and possible hazardous operations conditions.
2. Proper training includes informing the operator as to the correct protective clothing and safety equipment that should be worn while operating the equipment. Clothes that fit properly (that is, not too tight and not too loose) includes a long sleeve shirt buttoned at the cuff, long cuffless pants, steel toe safety shoes and safety glasses or full face shield. These items should be mandatory apparel for the operator. If work is being done at a level lower than the level at which the sweeper is being used, a hard hat must be worn.
3. Before using the machine on a roof, the operator should become familiar with the controls, safety features, and the overall 'feel' of the machine; on the ground, preferably in an open area with no vehicular or pedestrian traffic.

INTENDED USE

This machine is intended to be used for the sole purpose of moving gravel, roofing material, trash and 55 gallons insulated tank on the flat roof. It is not designed for moving people.

BEFORE STARTING

 **Warning** Make certain that all the safety covers are in place and all bolts and nuts are tightened securely. Never under any circumstances operate the machine without all safety covers bolted firmly in place.

Never put hands, feet or any parts of body close to the rotating parts when engine is running.

Never leave the machine unattended when the engine is running.

Note: Make certain that the engine crankcase is filled with oil and that the engine has been serviced as per the engine instruction.

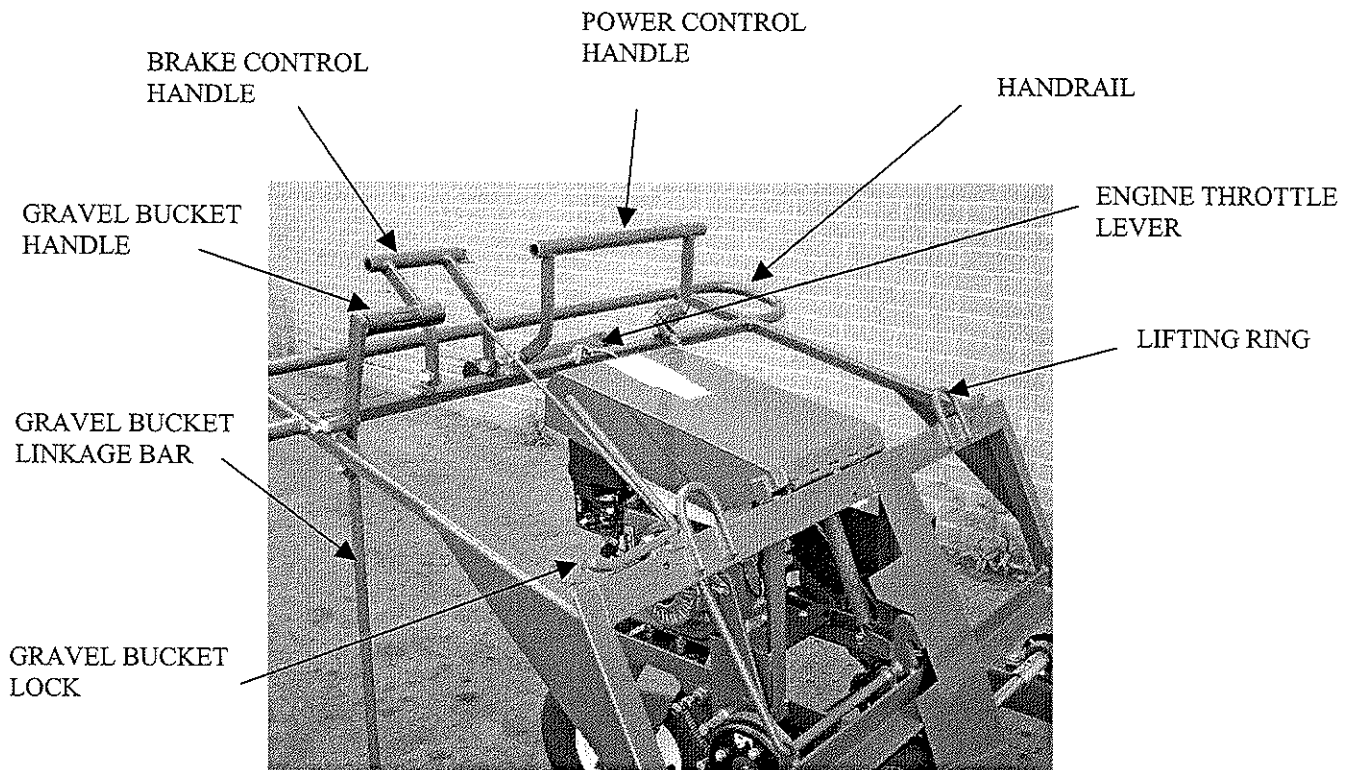


FIGURE #1

OPERATION WITH POWER

Note: The power graveler can only move forward with power.

Start the engine as per the engine operation instruction. When engine running smoothly, turn the throttle lever to a higher engine speed.

To start moving forward:

Press power control handle fully down. The brake will release automatically and the power graveler will start moving forward.

To turn while power graveler is moving:

Pull on the handrail to the direction of turn and push with the other hand on the other side of handrail while holding down the power control handle.

To stop the power graveler:

Release the power control handle and the brake will engage and stop the power graveler.

To change the speed:

Turn the throttle lever clockwise to increase the speed.

Turn the throttle lever counter-clockwise to decrease the speed.

OPERATION WITHOUT POWER

Note: This operation can be performed with or without the engine is turned on.

Press down the brake control handle fully down to release the brake. Move the power graveler forward, backward or make a turn as desired.

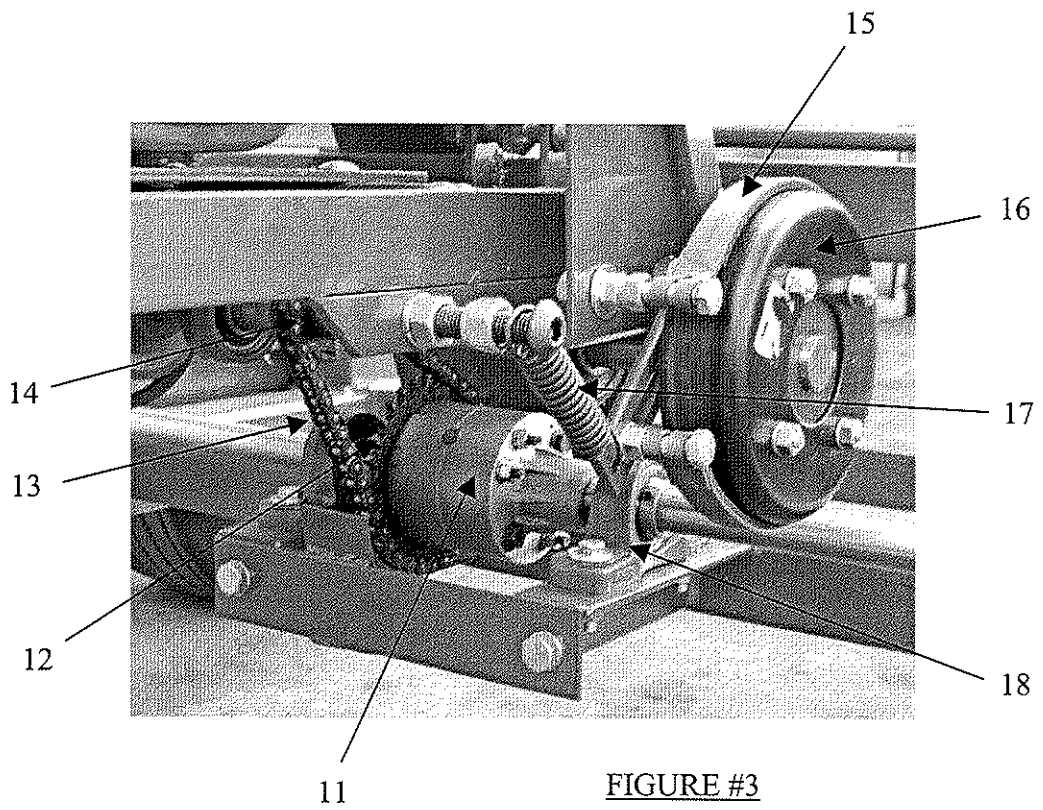
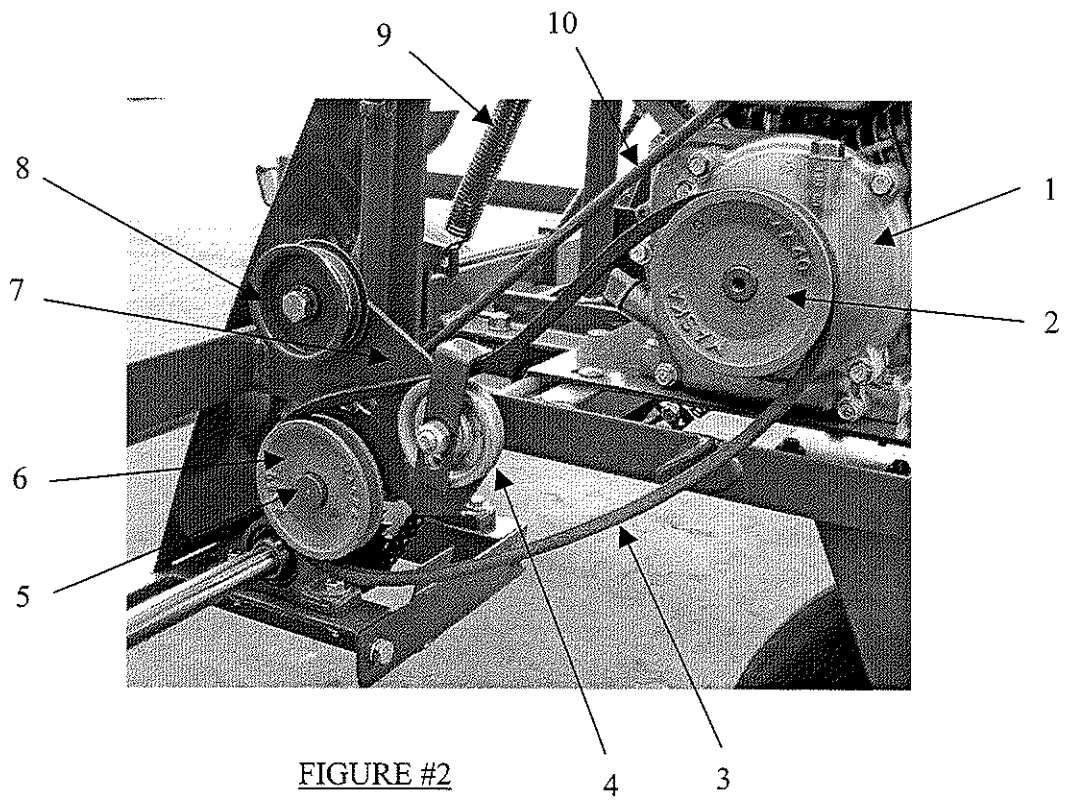
MAINTENANCE

Clean and grease the chain when needed.

Grease all bearings with grease every 3 months.

For engine maintenance, carefully follow the engine maintenance instructions that are provided with this machine.

Note: Remove spark plug wire from spark plug to avoid engine start-up accidentally before servicing the power Graveler or the engine.



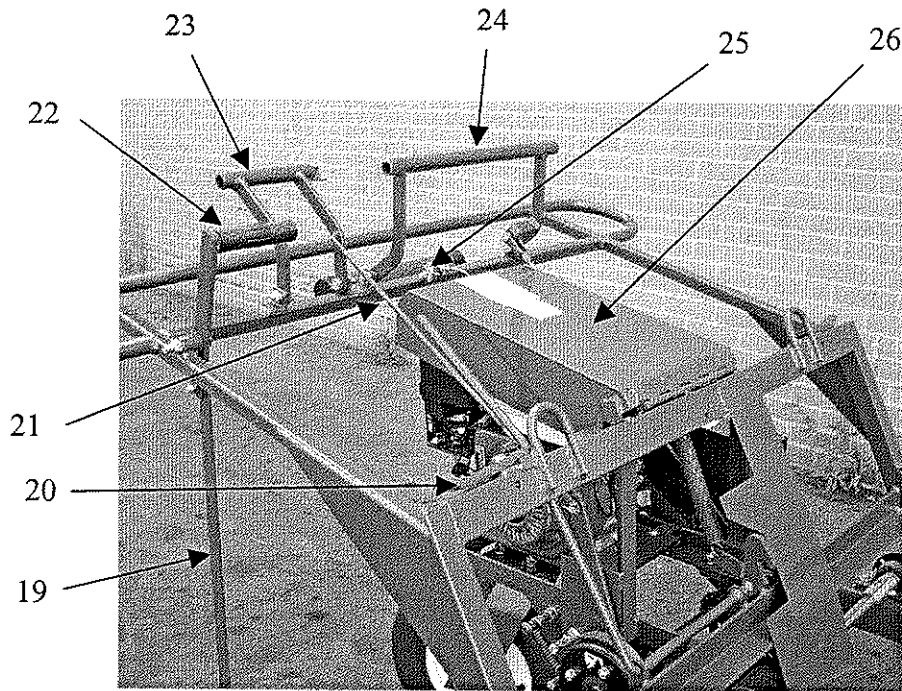


FIGURE #4

PARTS LIST

#	Parts #	Qty	Description
1	PG-01	1	Engine
2	PG-02	1	Engine pulley
3	PG-03	1	V-belt
4	PG-04	1	Small idler pulley
5	PG-05	1	Brake shaft
6	PG-06	1	Brake pulley
7	PG-07	1	Idlers linkage plate
8	PG-08	1	Large idler pulley
9	PG-09	1	Lock spring
10	PG-10	1	Handle linkage bar
11	PG-11	1	Gearbox
12	PG-12	1	Gearbox sprocket
13	PG-13	1	Drive shaft chain
14	PG-14	1	Brake shaft sprocket
15	PG-15	1	Brake band
16	PG-16	1	Brake drum
17	PG-17	1	Brake spring

#	Parts #	Qty	Description
18	PG-18	6	Shaft bearing
19	PG-19	1	Bucket linkage bar
20	PG-20	2	Gravel bucket lock
21	PG-21	1	Brake handle linkage bar
22	PG-22	1	Gravel bucket handle
23	PG-23	1	Brake Control handle
24	PG-24	1	Power control handle
25	PG-25	1	Engine throttle
26	PG-26	1	Engine cover
27	PG-27	2	Front wheel
28	PG-28	1	Rear wheel
29	PG-29	2	Wheel drive sprocket
30	PG-30	2	Wheel hub
31	PG-31	2	Wheel chain
32	PG-32	4	Wheel hub bearing
33	PG-33	1	Left chain cover
34	PG-34	1	Right chain cover