

## **Hand Swing Boom Hoist**

Instruction and safety information

Read before operating the Swing Boom Hoist

### **Index**

Warning	2
Specifications	3
Raising the sections	3
Assembling the Swing Boom Hoist	3 - 4
Operating the Swing Boom Hoist	4
Swing Boom Hoist diagram	5
Parts list	6

88 Signet Drive  
Weston, ON M9L 1T3  
Tel: (416) 744-2050  
Fax: (416) 744-4247

- Pickering, ON
- Toronto (Bloor St.), ON
- Toronto (Wade Ave.), ON
- Weston (Weston Rd.), ON
- Weston (Signet Dr.), ON
- Barrie, ON
- Oakville, ON
- Hamilton, ON
- London, ON
- Edmonton, AB
- Calgary, AB
- Winnipeg, MB
- Bensenville (Chicago), IL

## **WARNING**

### **To avoid injury and/or damage:**

- Read, understand, and follow the instruction manual before assembly and operation.
- DO NOT exceed the 300-pounds rated capacity on the unit.
- Ballast must always be twice the weight of the load on the unit.  
(600 lbs of counterweight required for 300 lbs of maximum load on the unit)
- Tighten all nuts and bolts before use.
- Inspect the rope for damage or wear before each use.
- Assemble the hoist on firm and level roof deck, well back from roof edge
- Regulations governing the use, selection and maintenance of personal protective and lifesaving apparatus, such as guardrails and fall-arrest system, must be followed.  
(Contact local government for safety guidelines and regulations)
- If possible, position the swing hoist as least ten feet from the roof corner.

**SPAR-Marathon's Swing Boom Hoist is designed and manufactured for hoisting materials only. Any other use of this equipment will void any warranty or responsibility, expressed or implied, on the part of the manufacturer.**

## SPECIFICATIONS

Operation	Hand
Capacity	300 lbs.
Overhang Distance	48"
Ballast Required	600 lbs.
Hoist Weight	155 lbs.
Maximum Height Under Hook	86"

Specifications are subject to change without notice.

## RAISING THE SECTIONS

Each section of the Swing Boom Hoist is designed for ease of transport and assembly.

- 1) Place the sections at the base of the wall below the site of operation.
- 2) Have an operator on the ground to tie-off and guide the sections, while two operators on the roof lift the sections up.

## ASSEMBLING THE SWING BOOM HOIST

Begin the assembly of the hoist by placing all sections on the roof deck, far away from the roof edge.

- 1) Attach the ballast box to the ballast leg assembly with a bolt and nut.
- 2) Set the front leg assembly in an upright standing position.
- 3) Align the ballast leg assembly with the front leg assembly. Slide the ballast leg assembly into the front leg assembly's socket. Join the ballast assembly and the front leg assembly with a bolt and nut. Level the front leg then tighten the wing screw on the socket


- 4) Attach the boom over top of the front leg assembly and onto the lower bearing. Position the boom lock lever at the base of the boom and insert the wing screw. Tighten the wing screw, then back off  $\frac{1}{4}$  turn. Secure the boom by placing the spring pin at the top of the front leg assembly.
- 5) Secure the Stabilizer rod on either side of the front leg assembly with two bolts and nuts on the opposite side of the boom.
- 6) Install operator fence on the opposite side of the stabilizer bar.
- 7) Make sure all connections are tightened, then move the hoist assembly to desired location for operation.
- 8) Place required optional counterweights in ballast box.

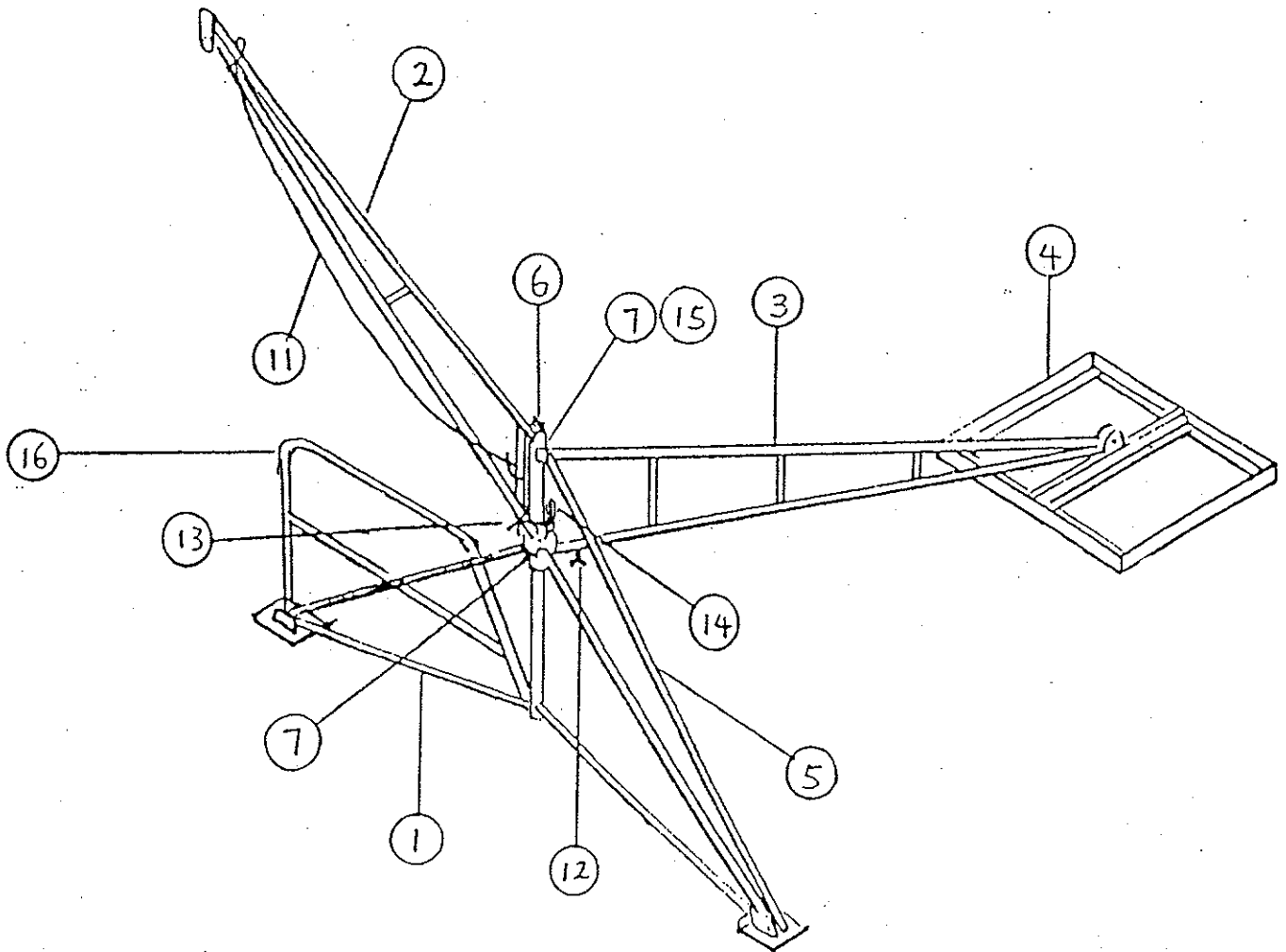
** WARNING**

Ballast weight should be 2:1  
i.e 200 pounds of counterweight required for each  
100 pounds of load on the unit.

- 9) Attach optional gin wheel pulley.
- 10) Reeve lifting rope.

## OPERATING THE SWING BOOM HOIST

- 1) Operator on ground raises load by pulling on rope.  
** Warning** When using Gin Wheel and operator on ground lifting the load, 1lb of weight lifted will be equal to 2 lbs of load on the structure of the hoist. So the hoist can be used to lift 150 lbs of load.
- 2) Operator on roof releases boom lock and pulls load in using swing rope.



PARTS LIST

ITEM No.	PART No.	QUANTITY	DESCRIPTION
1	SSH01	1	Leg Assembly
2	SSH02	1	Boom Assembly
3	SSH03	1	Ballast Leg Assembly
4	SSH04	1	Ballast Box
5	SSH05	1	Stabilizer Rod
6	SSH06	1	Spring Pin
7	SSH07	2	Flanged Bushing
8	SSH08	4	Bolt ½-13 x 2½" LG, Grade 5
9	SSH09	4	Nylon Insert Nut ½" UNC
10	SSH10	1	Bolt ½-13 x 2¾" LG, Grade 5
11	SSH11	1	Swing Rope, ¼" Nylon Rope
12	SSH12	2	Wing screw
13	SSH13	1	1/8" Aircraft Cable
14	SSH14	1	Lock Handle
15	SSH15	1	1/8" Grease Nipple
16	SSH16	1	Operator Fence Kit
17	SSH17	1	Gin Wheel Pulley *
18	SSH18		Counterweights *

\* Optional Parts (sold separately)