



**Installation and Maintenance Instructions
FOR
SAFETY ROOF RAIL PR 100
PERIMETER GUARDRAIL SYSTEM**

SAFETY ROOF RAIL PR 100 PERIMETER GUARD RAIL SYSTEM COMPLIES WITH THE REQUIREMENTS OF THE FEDERAL OCCUPATIONAL SAFETY AND HEALTH ADMINISTRATION (OSHA) AND CANADIAN WORKERS' COMPENSATION BOARD (WCB) WHEN INSTALLED AND USED ACCORDING TO THE MANUFACTURER ' S INSTALLATION AND MAINTENANCE INSTRUCTIONS.

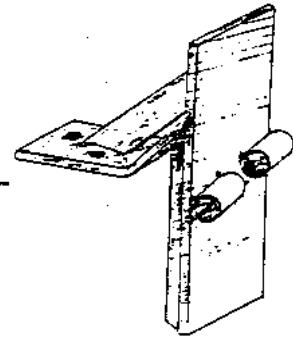
WARNING :

THIS PRODUCT MUST BE USED IN STRICT COMPLIANCE WITH FEDERAL OSHA AND CANADIAN WCB REGULATIONS .
FOLLOW ALL SAFETY PRACTICES.

FAILURE TO READ AND FOLLOW INSTRUCTIONS OF THIS PRODUCT
COULD RESULT IN PROPERTY DAMAGE OR SERIOUS INJURY.

PR 100 NAILER BRACKET INSTALLATION INSTRUCTIONS

Nailer Bracket _____



STEP ONE

Set the Nailer Bracket on top of wood nailer as in diagram.

STEP TWO

Drill $3/16$ " holes, through holes provided in Nailer Bracket, into wood nailer. Insert (3) $5/16 \times 2$ " lag bolts into holes and tighten same.

STEP THREE

Install the stanchion with the pin collar and adjustable stops facing the verticle plate of the Nailer Bracket so that the stanchion collar sits in the Nailer Bracket Pin Collar. Fasten together with collar pin.

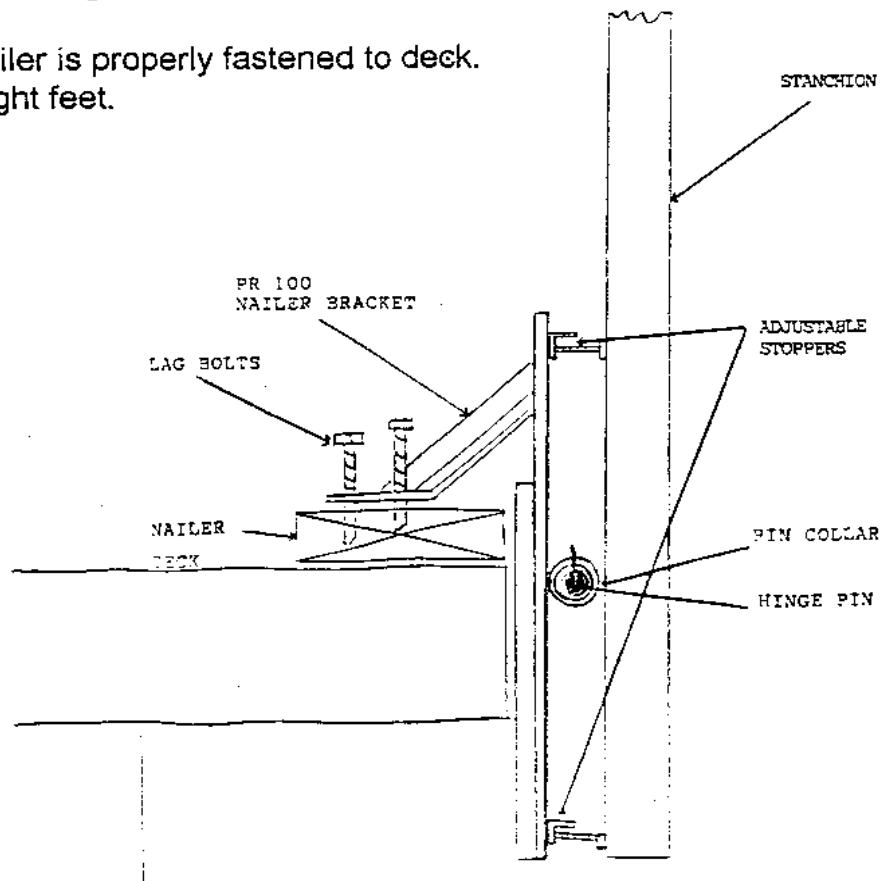
STEP FOUR

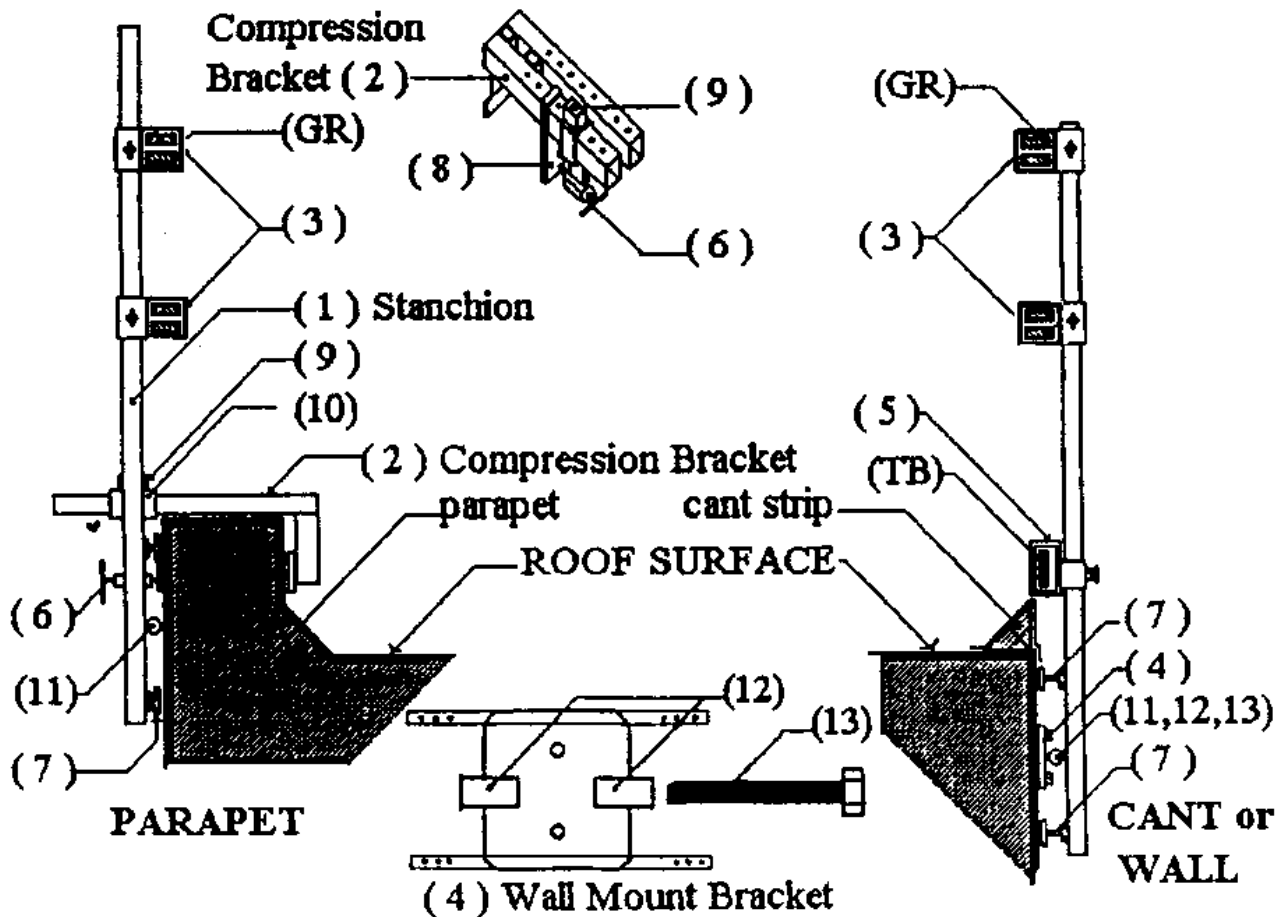
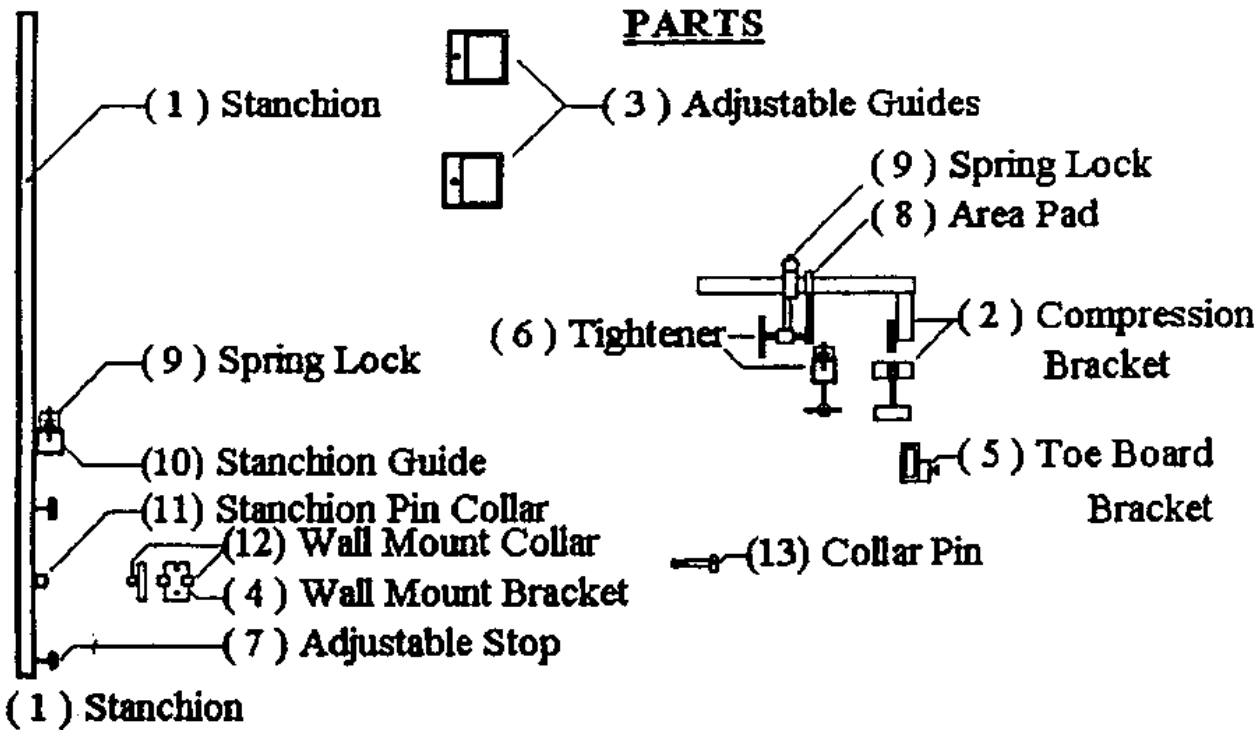
Adjust lower stopper out $3/4$ of thread length (approx. $1 \frac{1}{4}$ "). Push out firmly on stanchion and adjust upper stopper out to Nailer Bracket Plate.

STEP FIVE

Adjust guides and 2 x 4 guard rails as per step three of standard guidelines.

- * Always be sure wood nailer is properly fastened to deck.
- * Maximum spacing (8) eight feet.





PARAPET and CANT STRIP or WALL DETAILS

READ AND FOLLOW INSTRUCTIONS CAREFULLY

WARNING :

Always check product for damage prior to use . If any equipment, parts or welds are cracked , bent or damaged **DO NOT USE** .

MAXIMUM SPACING OF STANCHIONS IS EIGHT (8) FEET.

CARE AND MAINTENANCE :

1. Inspect all Safety Roof Rail PR 100 equipment and parts before and after each use to insure there is no damage or deformation to any of the equipment or parts.
2. Inspect to insure there is no damage as a result of rust or corrosion. Discard if necessary.
3. Always handle the Safety Roof Rail PR 100 with care. Pay special attention in checking for splitting , cracking or deterioration of this equipment; if any , discard at once.
4. Do not throw or drop any of the equipment or parts from a building or heights or onto a truck .
Always handle with care .
5. Do not use equipment or parts if it has been exposed to extreme heat or cold . Discard at once .

GENERAL REQUIREMENTS :

Always erect and use in accordance with appropriate OSHA and WCB Regulations .
Follow all applicable Federal, State, Provincial and local **SAFETY REGULATIONS**.

INSTALLATION INSTRUCTIONS FOR SAFETY ROOF RAIL PR 100

USING WITH THE COMPRESSION BRACKET (2)

Refer to Installation Instruction Drawing.

STEP ONE :

MOUNTING THE COMPRESSION BRACKET (2)

Place the compression bracket (2) over the parapet wall with the Tightener (6) the Area Pad (8) to the outside of the wall. Slide the Tightener (6) and Area Pad (8) on the Compression Bracket (2) to tighten the bracket on the wall. Lock in the closest hole to the wall by means of the Spring Lock (9). Tighten completely with the threaded Tightener (6). Protect the wall / parapet from damage as required.

NOTE : Space the compression brackets (2) no more than 8 feet apart.

STEP TWO :

ATTACHING THE STANCHION (1)

Fit the Stanchion (1) by means of the Stanchion Guide (10) on the Compression Bracket (2) and slide the Stanchion (2) as close to the wall as possible and lock in place with the Spring Lock (9). Adjust the top Adjustable Stop (7) to touch the parapet wall. Insure that the assembly is secure and no excessive movement exists.

STEP THREE :

INSTALLING ADJUSTABLE GUIDES (3) AND 2"x 4" GUARD RAILS (GR)

Install the Adjustable Guides (3) with rail guides facing inward and tighten the thumb screws to accommodate proper height and spacing for Guard Rails (GR) as per regulations . Install 2"x 4" wood Guard Rails (GR) in accordance with appropriate federal, state OSHA and WCB regulations . Nail or screw overlapping wood rails together using holes in Adjustable Guides.

USING THE WALL MOUNT BRACKET (4)

Refer to Installation Instruction Drawing.

STEP ONE :

MOUNTING THE WALL MOUNT BRACKET (4)

The wall mount bracket (4) when attached to concrete wall or concrete block wall must be attached securely with (2) 1 1/2 inch x 1/4 inch of wedge type anchor bolts or other expansion bolts rated at 2000 pounds or higher. When attached to a solid wood structure use (2) minimum 3 inch x 3/8 inch lag bolts. Mount the wall bracket so that so that the stanchion will align in a vertical plane and will allow a minimum 42 inch guardrail with the Adjustable Guides (3) as required in the regulations .

Insure that the wall bracket is securely attached and the material is solid and strong enough to adequately support the stanchion and guardrail and any load it will be required to resist.

STEP TWO :

INSTALLING THE STANCHION (1)

Install the stanchion (1) with the Pin Collar (11) and adjustable stops (7) facing the wall. Place the Stanchion (1) in the Wall Mount Bracket (4) so that the Stanchion Collar (11) sits in the Wall Mount Pin Collar (12). Fasten together with Collar Pin (13) ; thread in to insure secure attachment.

Screw out the adjustable stops (7) so that they touch the wall .

NOTE : Stanchions must not be spaced more than 8 feet apart.

STEP THREE :

INSTALLING ADJUSTABLE GUIDES (3) AND 2"x 4" GUARD RAILS (GR)

Install the Adjustable Guides (3) with rail guides facing inward and tighten the thumb screws to accommodate proper height and spacing for Guard Rails (GR) as per regulations . Install 2"x 4" wood Guard Rails (GR) in accordance with the appropriate federal and state OSHA and Canadian OH & S regulations . Nail or screw overlapping Guard Rails together using holes in Adjustable Guides (3). If required by regulations install 1"x 4" Toe Board (TB) using Toe Board Bracket (5) ; tighten with thumb screw.

SAFETY ROOF- RAIL PARTS (See Installation Instruction Drawing) :

No.	Part	Description
(1)	Stanchion	Upright square tube Post.
(2)	Compression Bracket	For fastening Stanchion to parapet. Adjustable to fit a parapet from 4" to 12.5" in width.
(3)	Adjustable Guides	Accommodates guard rails.
(4)	Wall Mount Bracket	For attaching Stanchion in cant strip or flat surface applications.
(5)	Toe Board Bracket	To accommodate toe-board.
(6)	Tightener	For final tightening of Compression Bracket to parapet.
(7)	Adjustable Stops	Allows adjustment of Stanchion to surface of wall
(8)	Area Pad	Displaces pressure from Tightener to wall surface.
(9)	Spring Lock	Locks Tightener and Stanchion to Compression Bracket after adjustment.
(10)	Stanchion Guide	Aligns and fastens Stanchion to Compression Bracket.
(11)	Stanchion Pin Collar	For fastening the Stanchion to Wall Mount Bracket.
(12)	Wall Mount Collar	With welded nut for fastening the Wall Mount to the Stanchion.
(13)	Collar Pin	Threaded pin bolt for attaching Stanchion Pin Collar to Wall Mount Pin Collar.
(GR)	Guard Rail	2" x 4" guard rails that meet appropriate Regulations and Requirements.
(TB)	Toe Board	1" x 4" toe boards that meet appropriate Regulations and Requirements.