

Rotary Planer

Instruction and safety information

Read before operating the planer

Index

Warning	2
Safety precautions	2
Operator training	3
Intended use	3
Operation	3,4,5
To stop cutting	5
Planer block replacement	5
Maintenance	5



88 Signet Drive
Weston, ON M9L 1T3
Tel: (416) 744-2050
Fax: (416) 744-4247

• Pickering, ON
• Toronto (Bloor St.), ON
• Toronto (Wade Ave.), ON

• Weston (Weston Rd.), ON
• Weston (Signet Dr.), ON
• Barrie, ON

• Oakville, ON
• Hamilton, ON
• London, ON

• Edmonton, AB
• Calgary, AB
• Winnipeg, MB
• Bensenville (Chicago), IL

WARNING

Misuse of this equipment may result in damage or injury. It is the responsibility of the purchaser to ensure that the personnel operating the machine are trained in the proper operating procedures and all safety regulations.

The employer shall permit only these employees qualified by training or experience to operate equipment and machinery.

The employer shall instruct each employee in the recognition and avoidance of unsafe conditions and the regulations applicable to the work environment, to control or eliminate any hazards or other exposure to illness or injury

Regulations governing the use, selection, and maintenance of personal protective and lifesaving equipment as stated in safety regulations shall be followed.

Do not operate on a roof without a perimeter warning system or barrier.

SAFETY PRECAUTIONS

1. When using this equipment, full face shield and proper clothing should be worn to protect the operator from flying debris.
2. Do not operate this equipment within 10 feet of the roof edge.
3. When on-deck equipment is being used, perimeter warning lines must be set up 10 feet from the roof edge, and around all roof openings.
4. Follow local code requirements.
5. Never leave machine unattended when engine is running.
6. Shut off the engine before refuelling, checking, making adjustments or repairs.
7. Keep hands and feet clear of moving parts at all times.
8. Do not operate unless all guards and shields are in position.


OPERATOR TRAINING

1. Before being allowed to use this or any piece of equipment, the operator should first fully understand all proper operating procedures. Special attention should be paid to the control locations and functions, all warning messages, and possible hazardous operations conditions.
2. Proper training includes informing the operator as to the correct protective clothing and safety equipment that should be worn while operating the equipment. Clothes that fit properly (that is, not too tight and not too loose) includes a long sleeve shirt buttoned at the cuff, long cuffless pants, steel toe safety shoes and safety glasses or full face shield. These items should be mandatory apparel for the operator. If work is being done at a level higher than the level at which the planer is being used, a hard hat should be worn.
3. Before using the machine on a roof, the operator should become familiar with the controls, safety features, and the overall 'feel' of the equipment on the ground, preferably in an open area with no vehicular or pedestrian traffic.

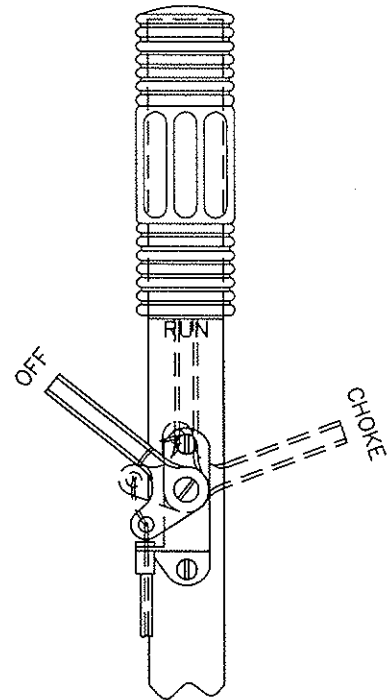
INTENDED USE

This equipment is designed to be used to loosen the embedded gravel on built-up roofs by a series of carbide tipped planer blocks fixed to a 14 inch dia rotating steel disc. This machine can cut a 14 inch path in one pass. The disc rotates in a direction that may pull the machine sideways as the pins contact the gravel. It is necessary to hold back on the machine to ensure gravel removal.

OPERATION

-  **Warning**
- Make certain that the disc guard and belt cover are in place and all bolts and nuts are tightened securely. Never under any circumstances operate the machine without the belt cover bolted firmly in place.
 - Never put hands, feet or any parts of body close to the rotating disc underneath the machine when engine is running.
 - Never leave the machine unattended when the engine is running

- Note:**
- If there is a significant amount of loose gravel or other debris on the roof, it will be necessary to sweep the loose material up before starting to scrape out the embedded gravel. This will prevent the machine from clogging up and ensure proper operation. This will also avoid flying stones and excessive wear on the carbide tips of planer blocks.
 - Keep guard around the machine in good working condition to prevent loose material from flying out underneath.
 - Make certain that the engine crankcase is filled with oil and that the engine has been serviced as per the engine instruction.
- Pull up the depth control lever so that the end of the threaded rod is resting against the stop.
 - Turn the depth control lever clockwise until the cutter can rotate freely without touching the deck.
 - Push down the depth control lever. This raises the front end of the cutter to the 'UP' position, providing additional clearance for the cutter.
 - Start the engine as per the engine instruction.
 - Allow engine to warm-up and adjust the throttle control to desired speed.
 - Pull up the depth control lever down slowly until the end of the threaded rod is resting against the stop.
 - Turn the depth control lever counter-clockwise until the cutter is cutting into the roof (maximum 3/8" cutting depth on each pass is recommended). Turn clockwise to decrease the cutting depth.
 - Tighten the wing nut after desired cutting depth is found.



Note: Take every precaution not to cut through metal or any other type of roof deck under the roof membrane.


- Push the rotary planer forward as fast as the cutter will easily cut into the roof

TO STOP CUTTING

Push down the depth control lever. This raises the front end of the cutter to the 'UP' position, letting the cutter rotate freely without cutting the roof.

Stop the engine if not intending to use the planer immediately.

PLANER BLOCK REPLACEMENT

 **Warning** Never open the belt cover when the engine is running.

The carbide tipped planer blocks are held in position with flat head socket cap screws. To replace the planer blocks, stop the engine and remove spark plug cable from spark plug. Hoist the rotary planer up to access the rotary disc at the bottom of the planer. Do not tilt the rotary planer as it will flood the engine cylinder and may cause the fuel to leak. Loosen the screw on the cutting pin. Replace the old pin with the new one and tighten the screw back.

MAINTENANCE

Lightly oil the pivoting point of the front wheel and the threaded rod of the depth control lever weekly.

For engine maintenance, carefully follow the engine maintenance instructions that are provided with this equipment.