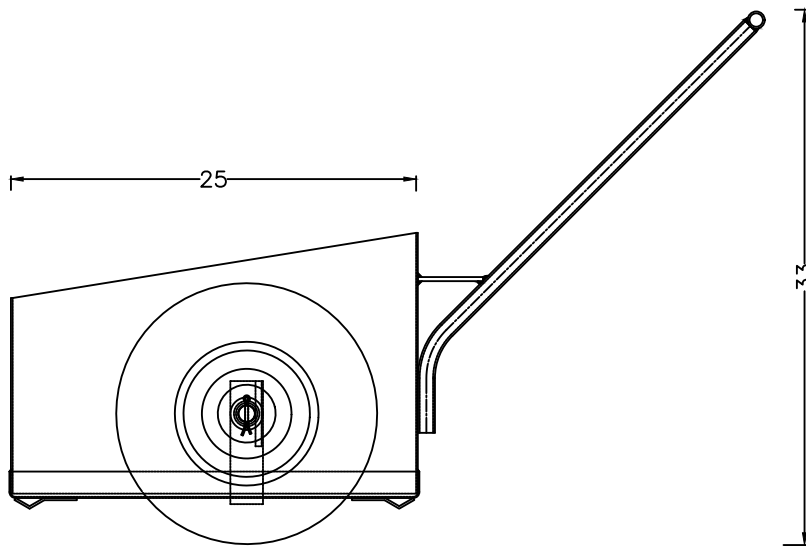
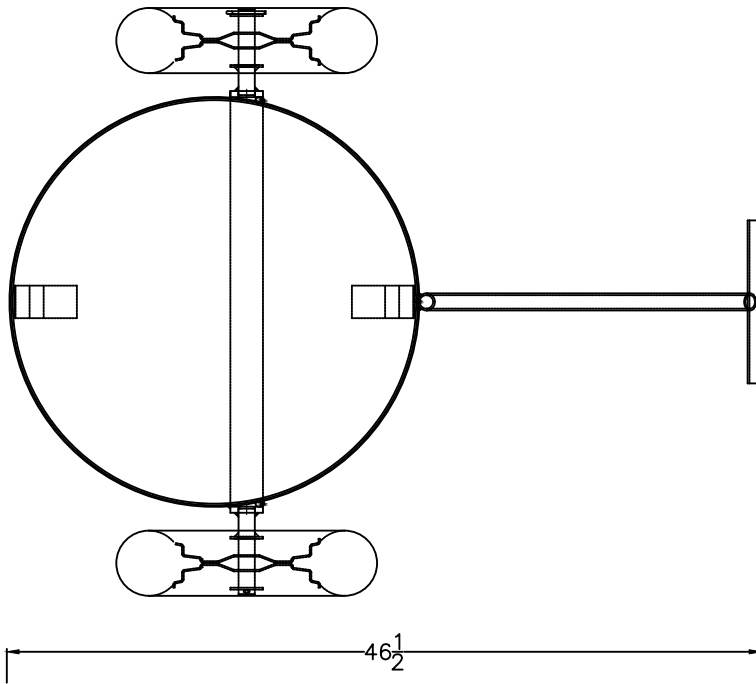



# Top View



Note: All Dimension are in inches

SPAR-MARATHON ROOFING SUPPLIES									
<small>THIS DRAWING IS THE PROPERTY OF SPAR MARATHON ROOFING SUPPLIES. THIS MUST NOT BE COPIED OR REPRODUCED IN ANY MANNER OR PARTS MANUFACTURED OR DESIGN DISCLOSED WITH OUT THE WRITTEN PERMISSION OF OWNER.</small>									
DRAWING NAME		25 Gallon Bucket							
	UNIT WEIGHT	LBS. QTY.		1	ITEM NO.				
	USED ON				DRAWING SCALE	1:11			
MATERIAL SPECS.	SEE PARTS LIST			DRAWING NUMBER			REV.		
DRAWN	RDS	DATE	MAR 20, 2008		42			0	
APPROVED		DATE							

QTY

E

F

G

H