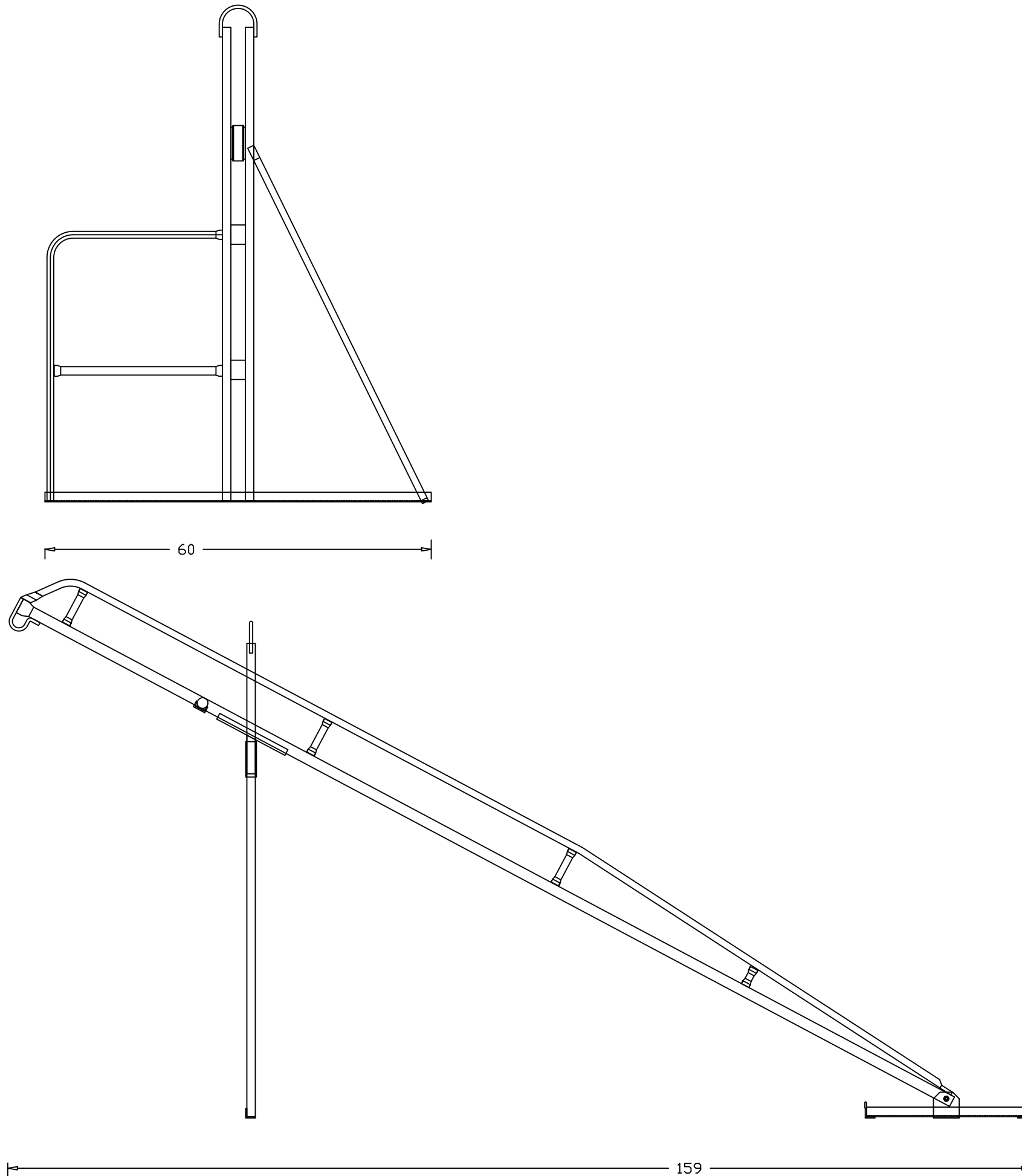


6
5
4
3
2
1



All Dimension are in inches

SPAR-MARATHON ROOFING SUPPLIES									
<small>THIS DRAWING IS THE PROPERTY OF SPAR MARATHON ROOFING SUPPLIES. THIS MUST NOT BE COPIED OR REPRODUCED IN ANY MANNER OR PARTS MANUFACTURED OR DESIGN DISCLOSED WITH OUT THE WRITTEN PERMISSION OF OWNER.</small>									
101 BUCKET AND CARRIER									
UNIT WEIGHT USED ON		LBS. QTY.		1		DRAWING SCALE		1:6	
MATERIAL SPECS.		SEE PARTS LIST				DRAWING NUMBER		REV.	
DRAWN		RDS		DATE		JAN 5, 2012		63 0	
APPROVED		DATE							