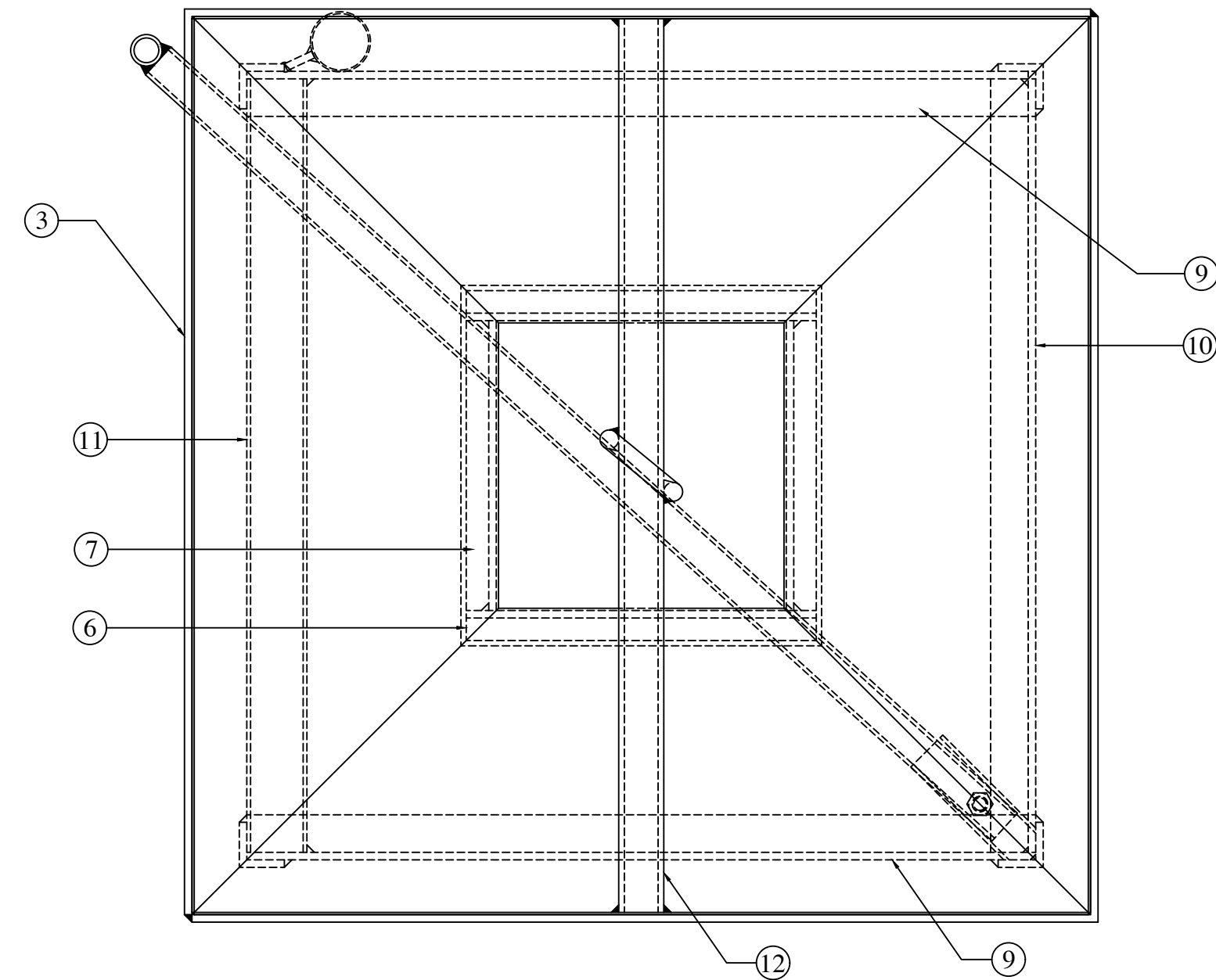


NOTE: ALL FILLET WELDS TO BE 1/4
UNLESS OTHERWISE STATED



ITEM #	DESCRIPTION	MATERIAL	QTY	DRAWING #
20	1" X 5" VINYL HANDLE GRIP	PARTS	1	N/A
19	END CAP FOR 2" TUBING	PARTS	2	N/A
18	1/2 UNC NYLOCK NUT	PARTS	1	N/A
17	HEX BOLT 1/2 UNC X 2 3/4 LG	PARTS	1	N/A
16	INSTRUCTION TUBE	M.P	1	N/A
15	R/B 5/8 X 11 LG	HRS	1	N/A
14	PIPE 3/4 X 10 LG	STD	1	N/A
13	TUBING SQ 1 1/4 X 1 1/4 X 1/8 X 38 LG	ERW	1	N/A
12	TUBING 1 1/2 X 2 1/2 X .188 X 29 3/4 LG	HSS	1	N/A
11	TUBING 1 X 2 X .125 X 25 3/4 LG	HSS	1	N/A
10	ANGLE 1/4 X 1 1/2 X 1 1/2 X 25 3/4 LG	HRS	1	N/A

ITEM #	DESCRIPTION	MATERIAL	QTY	DRAWING #
9	ANGLE 1/4 X 1 1/2 X 1 1/2 X 26 1/4 LG	HRS	2	N/A
8	ANGLE 1/4 X 1 1/2 X 1 1/2 X 17 LG	HRS	4	N/A
7	ANGLE 1/4 X 1 X 1 X 9 5/8 LG	HRS	2	N/A
6	ANGLE 1/4 X 1 X 1 X 11 5/8 LG	HRS	2	N/A
5	F/B 1/4 X 1 1/4 X 6 3/4 LG	HRS	1	N/A
4B	F/B 1/4 X 1 1/2 X 5 LG	HRS	1	N/A
4A	F/B 1/4 X 1 1/2 X 4 21/32 LG	HRS	1	N/A
3	F/B 1/4 X 2 X 60 LG	HRS	2	N/A
2	1/4 X 12 X 12	HRS	1	N/A
1	14 GA X 43 X 29 3/4	HRS	4	N/A

1	ITEM # 9,10&13 THICKNESS CHANGED; ITEM # 4A,10&11 LENGTH CHANGED	RDS	MAY 6, 2015
REVISION		BY	DATE
SPAR-MARATHON ROOFING SUPPLIES			
<small>THIS DRAWING IS THE PROPERTY OF SPAR MARATHON ROOFING SUPPLIES. THIS MUST NOT BE COPIED OR REPRODUCED IN ANY MANNER OR PARTS MANUFACTURED OR DESIGN DISCLOSED WITHOUT THE WRITTEN PERMISSION OF OWNER.</small>			
DRAWING NAME		GRAVEL BUCKET 1600	
	UNIT WEIGHT USED ON	LBS. QTY.	ITEM NO.
			1
MATERIAL SPECS.		SEE PARTS LIST	DRAWING NUMBER
DRAWN	RDS	DATE	REV.
		JAN 31, 2011	53
APPROVED	DATE		1