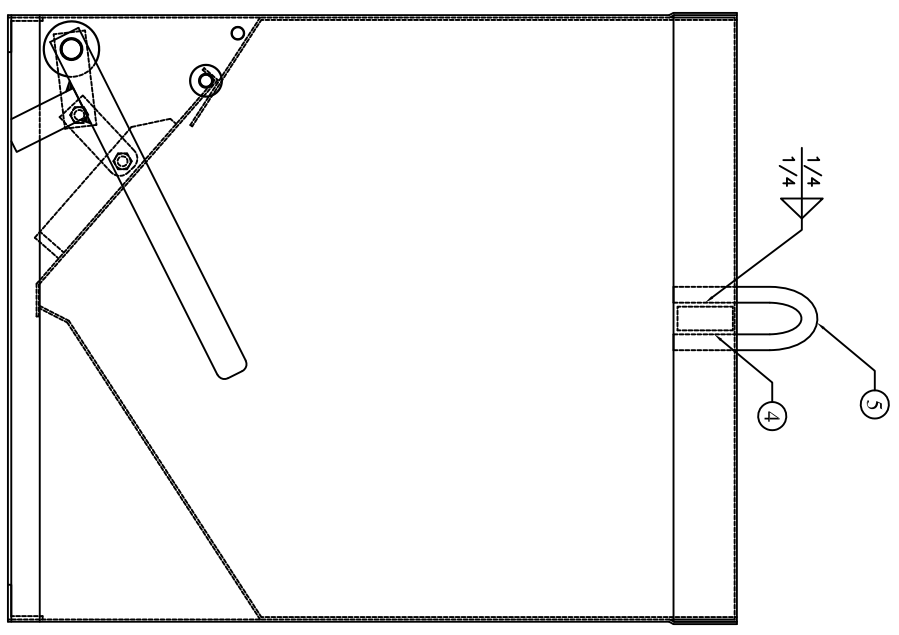
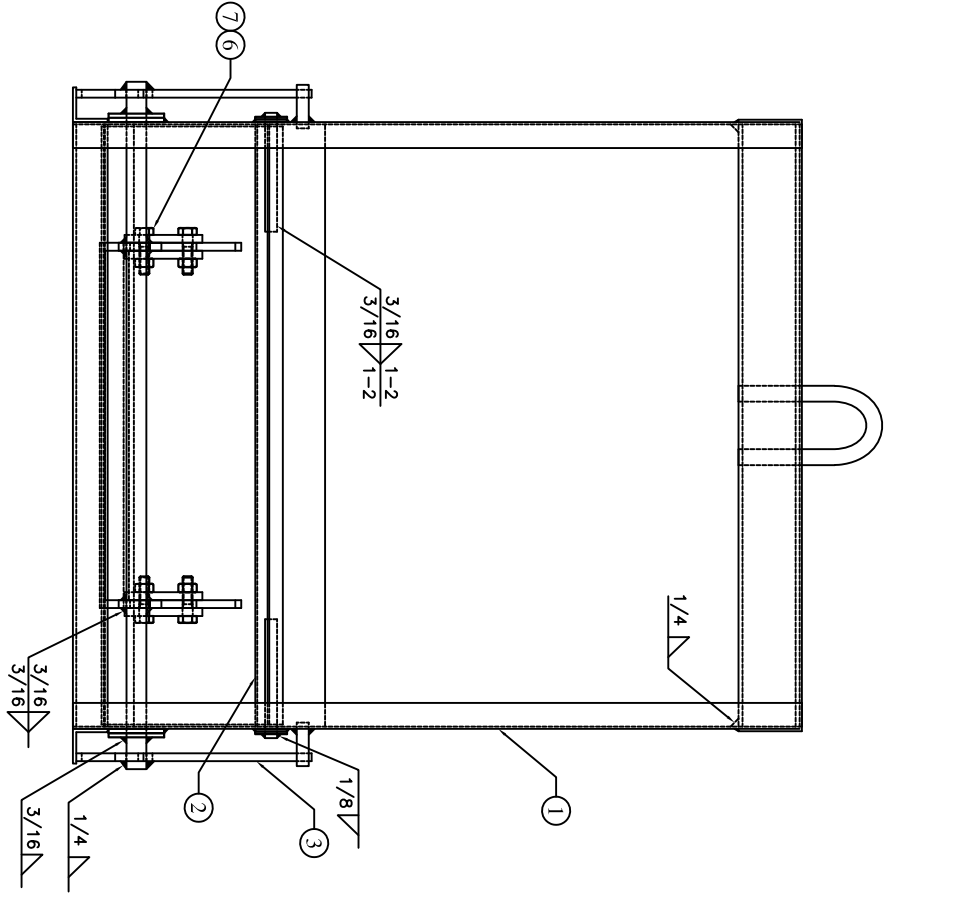


ITEM # 5



| ITEM # | DESCRIPTION | PARTS | QTY | DRAWING # |
|--------|------------------------------|---------|-----|-----------|
| 7 | NYLOCK NUT 5/16 UNC | N/A | 2 | N/A |
| 6 | HEX BOLT 5/16 UNC X 1 1/4 LG | PARTS | 2 | N/A |
| 5 | R/B 1/2 X 10 LG | HRS | 1 | N/A |
| 4 | TUBING 1 X 2 X .125 X 19 LG | HSS | 1 | N/A |
| 3 | DOOR LOCKING BAR SUB ASSLY | SEE DRG | 1 | 2503 |
| 2 | DOOR SUB ASSLY | SEE DRG | 1 | 2502 |
| 1 | BODY SUB ASSLY | SEE DRG | 1 | 2501 |

SPAR-MARATHON ROOFING SUPPLIES

THIS DRAWING IS THE PROPERTY OF SPAR-MARATHON ROOFING SUPPLIES. THIS LIST MAY BE COPIED OR REPRODUCED IN ANY MANNER, BUT THE PARTS MANUFACTURED OR DESIGN DISCLOSED HEREIN ARE THE UNPATENTED INVENTION OF SPAR-MARATHON ROOFING SUPPLIES.

GRAVEL BUCKET 400

DRAWING NO. 250

DATE FEB 14, 2011

SCALE 1:4

REV. 0