

# SWEEPER

Instruction and safety information

Read before operating the Sweeper

Read the instruction completely is the first step to safe operation. An uninformed operator can subject himself and others to death or serious injury



88 Signet Drive  
Weston, ON M9L 1T3  
Tel: (416) 744-2050  
Fax: (416) 744-4247

- Pickering, ON
- Toronto (Bloor St.), ON
- Toronto (Wade Ave.), ON
- Weston (Weston Rd.), ON
- Weston (Signet Dr.), ON
- Barrie, ON
- Oakville, ON
- Hamilton, ON
- London, ON
- Edmonton, AB
- Calgary, AB
- Winnipeg, MB
- Bensenville (Chicago), IL

## **WARNING**

Misuse of this equipment may result in damage or injury. The manufacturer provides the following instructions for use and relies upon the purchaser to ensure that these instructions are given to the persons who will actually be using the equipment.

It is the responsibility of the purchaser to ensure that the personnel operating the machine are trained in the proper operating procedures and all safety regulations.

The employer shall permit only those employees qualified by training or experience to operate equipment and machinery.

The employer shall instruct each employee in the recognition and avoidance of unsafe conditions and the regulations applicable to the work environment, to control or eliminate any hazards or other exposure to illness or injury.

Regulations governing the use, selection, and maintenance of personal protective and lifesaving equipment as stated in safety regulations must be followed.

Do not operate on a roof without a perimeter warning system or barrier.

## **SAFETY PRECAUTIONS**

1. When using this equipment, safety shoes, full-face shield and proper clothing should be worn to protect the operator from flying debris.
2. Do not operate this equipment within 10 feet of the roof edge.
3. When on-deck equipment is being used, perimeter warning lines must be set up 10 feet from the roof edge, and around all roof openings.
4. Follow local code requirements.
5. Never leave machine unattended when engine is running.
6. Shut off the engine before refuelling, checking, making adjustments or repairs.
7. Keep hands and feet clear of moving parts at all times.

8. Do not operate unless all safety covers and guards are in position.

## **OPERATOR TRAINING**

1. Before being allowed to use this or any piece of equipment, the operator should first fully understand all proper operating procedures. Special attention should be paid to the control locations and functions, all warning messages, and possible hazardous operations conditions.
2. Proper training includes informing the operator as to the correct protective clothing and safety equipment that should be worn while operating the equipment. Clothes that fit properly (that is, not too tight and not too loose) includes a long sleeve shirt buttoned at the cuff, long cuffless pants, steel toe safety shoes and safety glasses or full face shield. These items should be mandatory apparel for the operator. If work is being done at a level lower than the level at which the sweeper is being used, a hard hat must be worn.
3. Before using the machine on a roof, the operator should become familiar with the controls, safety features, and the overall 'feel' of the machine; on the ground, preferably in an open area with no vehicular or pedestrian traffic.

## **INTENDED USE**

This machine is intended to be used for the sole purpose of ground sweeping and sweeping gravel on the flat, level roofs for the re-roofing process. Any other use of this equipment voids the manufacturer's warranty and is the sole responsibility of the owner/user, should damage or injury occur.

## **AT THE JOBSITE**

Operation of the sweeper must be in compliance with the Labour Standards governing safety perimeters with respect to the use of power equipment. For specific information on the roof barriers, the use of guardrails and the motion-stopping-safety systems, refer to your local Safety Association.

Before allowing equipment and personnel access to the roof, make certain the roof is

strong enough to support all the weight of equipment and persons working on the roof. Clear the work area of all potentially dangerous obstacles that could cause personal injury to the operator or others. Keep unauthorized people away from construction area.

All roof openings must be guarded to protect against fall.

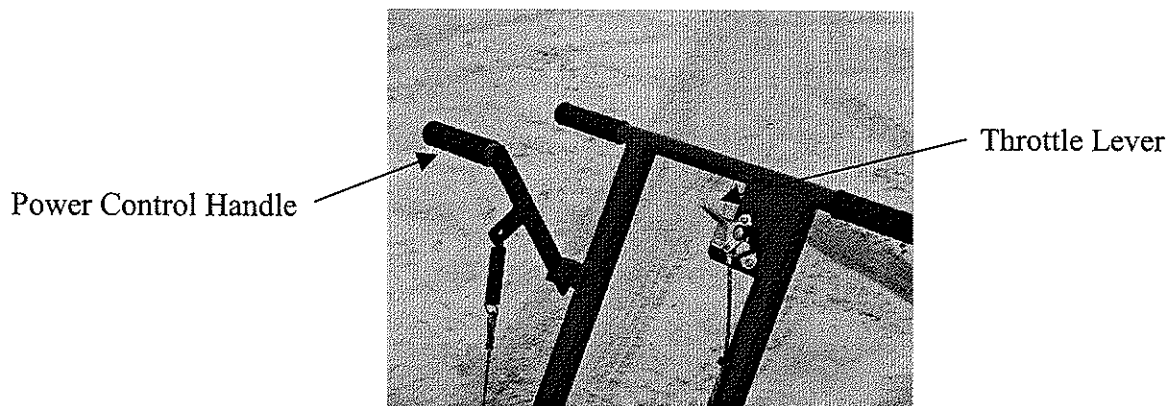
### **BEFORE STARTING**

**⚠ Warning** Make certain that all the safety covers are in place and all bolts and nuts are tightened securely. Never under any circumstances operate the machine without all safety covers bolted firmly in place.

Never put hands, feet or any parts of body close to the moving parts when engine is running.

Never leave the machine unattended when the engine is running.

**Note:** Make certain that the engine crankcase is filled with oil and that the engine has been serviced as per the engine instruction.



### **OPERATION**

**⚠ Warning** Do not operate the sweeper within 10 feet of the roof edge.

The sweeper may kickback if the brush digs deep into the gravel. Do not pull up the sweeper handle while sweeping.

**Note:** The sweeper can only move forward with power.

Start the engine as per the engine operation instruction. When engine running smoothly, turn the throttle lever to a higher engine speed.

**To start sweeping:**

Press the power control handle fully down. The sweeper will start moving forward and the brush will turn at the same time.

**To turn while sweeper is moving:**

Pull on the handrail to the direction of turn and push with the other hand on the other side of handrail while holding down the power control handle.

**To stop the sweeper:**

Release the power control handle. The sweeper and the brush will stop.

**To change the speed:**

Turn the throttle lever counter-clockwise to increase the speed.  
Turn the throttle lever clockwise to decrease the speed.

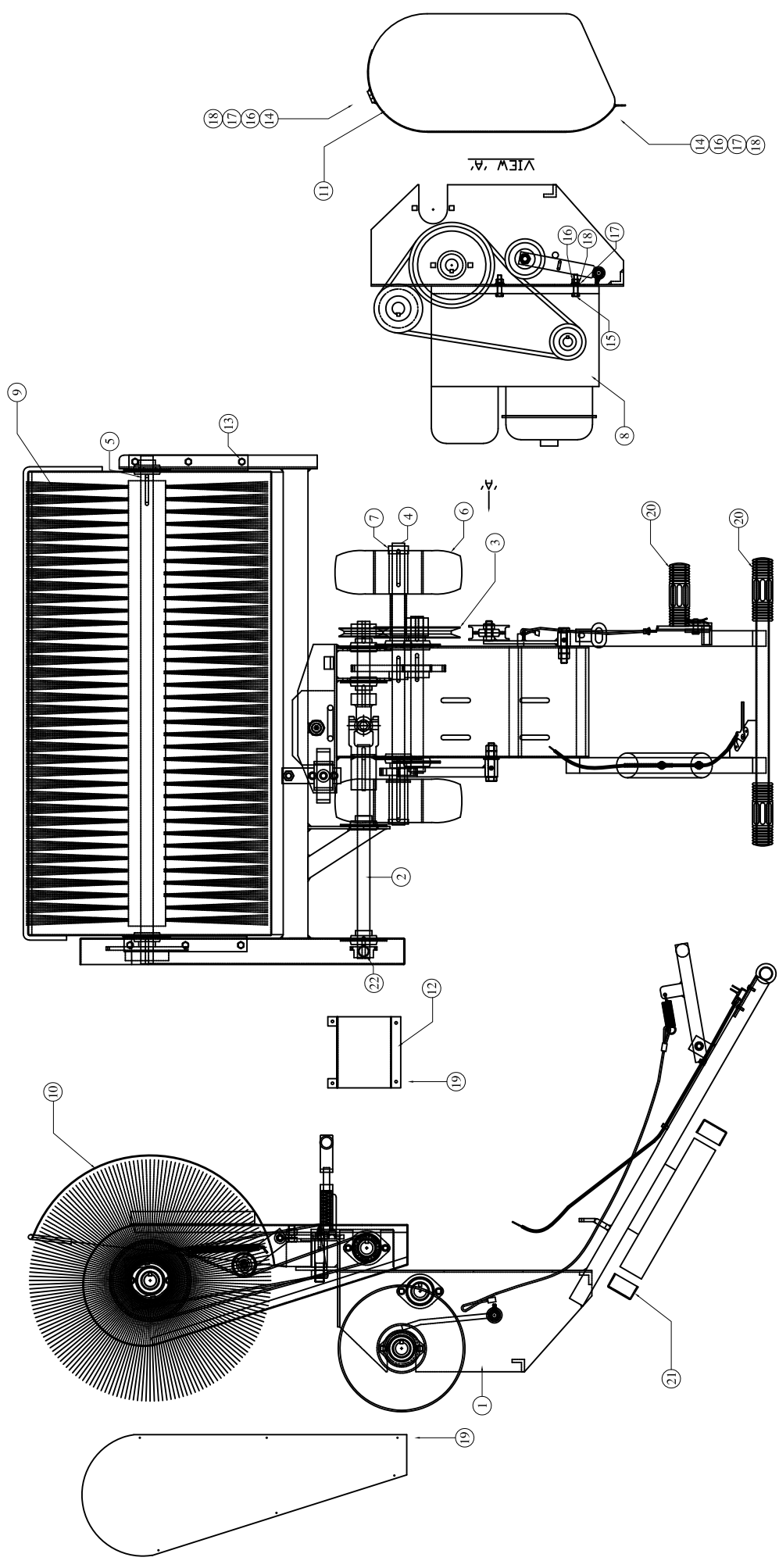
**MAINTENANCE**

**⚠ Warning** Stop the engine and remove the spark plug wire from spark plug to avoid engine start-up accidentally before servicing the sweeper or the engine.

Clean and grease the chain when needed.

Grease all bearings with grease every 3 months or when needed.

For engine maintenance, carefully follow the engine maintenance instructions that are provided with this machine.



ITEM #	DESCRIPTION	MATERIAL	QTY	DRAWING #
22	PLUG BUTTON 3/4	PARTS	1	N/A
21	END CAP FOR 2" OD PIPE	PARTS	2	N/A
20	VINYL HANDLE GRIP	PARTS	3	N/A
19	SCREW 10-24 X 1/2 LG	PARTS	10	N/A
18	LOCK WASHER 1/4	PARTS	6	N/A
17	PLAIN WASHER 1/4	PARTS	8	N/A
16	HEX NUT 5/16 UNC	PARTS	6	N/A
15	HEX BOLT 5/16 UNC X 1 1/2 LG	PARTS	4	N/A
14	HEX BOLT 5/16 UNC X 1 LG	PARTS	2	N/A
13	SELF TAP SCREW 5/16 UNC X 1/2 LG	PARTS	6	N/A
12	UNIVERSAL JOINT COVER	SEE DRG	1	108
11	BELT GUARD	SEE DRG	1	107
10	BROOM COVER	SEE DRG	1	106
9	BROOM	PARTS	1	N/A
8	5.5HP HONDA ENGINE WITH REDUCTION UNIT	PARTS	1	N/A
7	1" LOCKING COLLAR	PARTS	2	N/A
6	WHEEL ASSLY	PARTS	2	N/A
5	BROOM DRIVE	SEE DRG	1	105
4	WHEEL DRIVE	SEE DRG	1	104
3	PULLEY DRIVE	SEE DRG	1	103
2	UNIVERSAL DRIVE SUB ASSLY	SEE DRG	1	102
1	BODY ASSLY	SEE DRG	1	101

SPAR-MARATHON ROOFING SUPPLIES  
 1000 W. 10TH ST. SUITE 100, DENVER, CO 80202  
 PHONE: 303.733.1111 FAX: 303.733.1112  
 WWW: WWW.SPARMARATHON.COM

SWEEPER-36

REV	DATE	BY	CHKD	APP'D
1				

SCALE 1:6  
 DRAWING NUMBER 10  
 DATE FEB 7, 2005