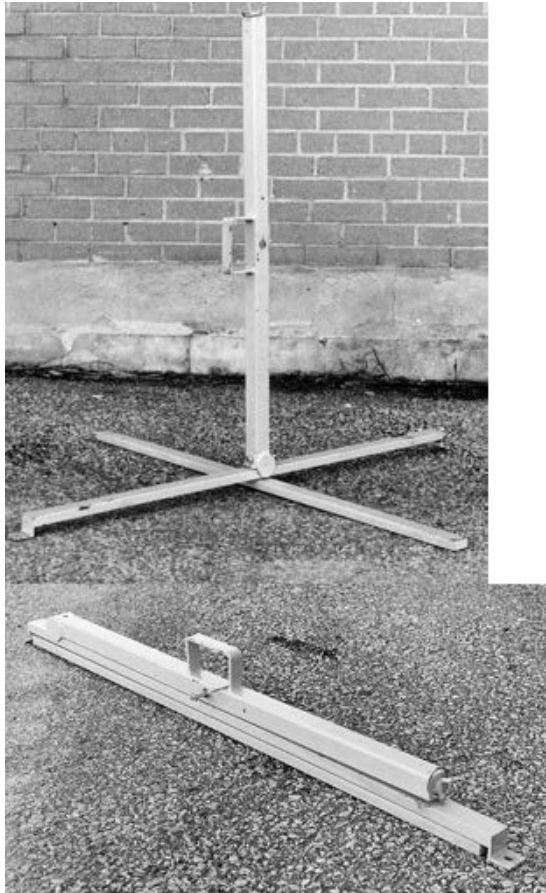


SPAR-Marathon

ROOFING SUPPLIES

A division of Spar Roofing & Metal Supplies Limited

FOLDING PERIMETER WARNING LINE SYSTEM

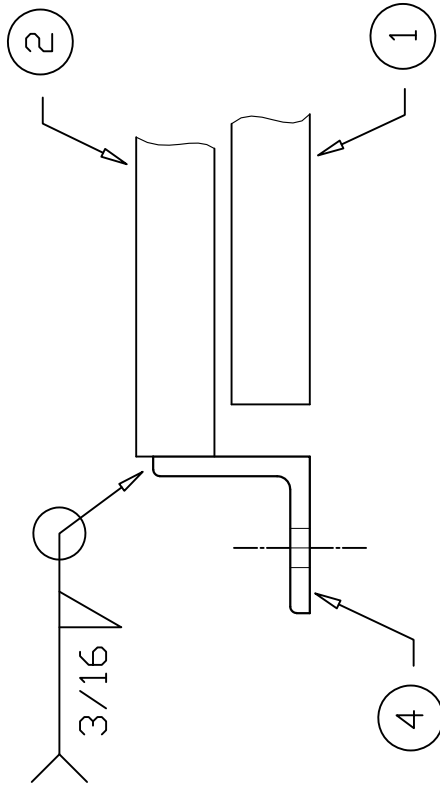


88 Signet Drive
Weston, ON M9L 1T3
Tel: (416) 744-2050
Fax: (416) 744-4247

- Pickering, ON
- Toronto (Bloor St.), ON
- Toronto (Wade Ave.), ON
- Weston (Weston Rd.), ON
- Weston (Signet Dr.), ON
- Barrie, ON
- Oakville, ON
- Hamilton, ON
- London, ON
- Edmonton, AB
- Calgary, AB
- Winnipeg, MB
- Bensenville (Chicago), IL

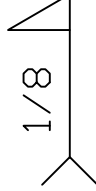
WEB SITE: www.sparmarathonroofing.com

DETAIL B
SCALE 1:2

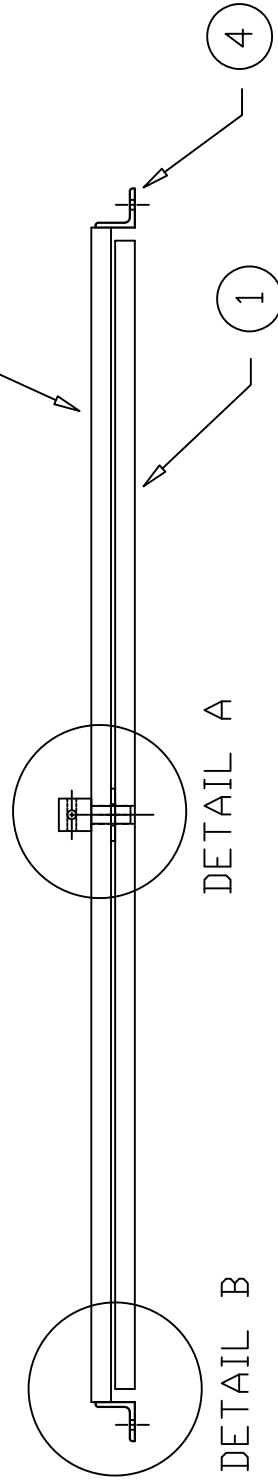
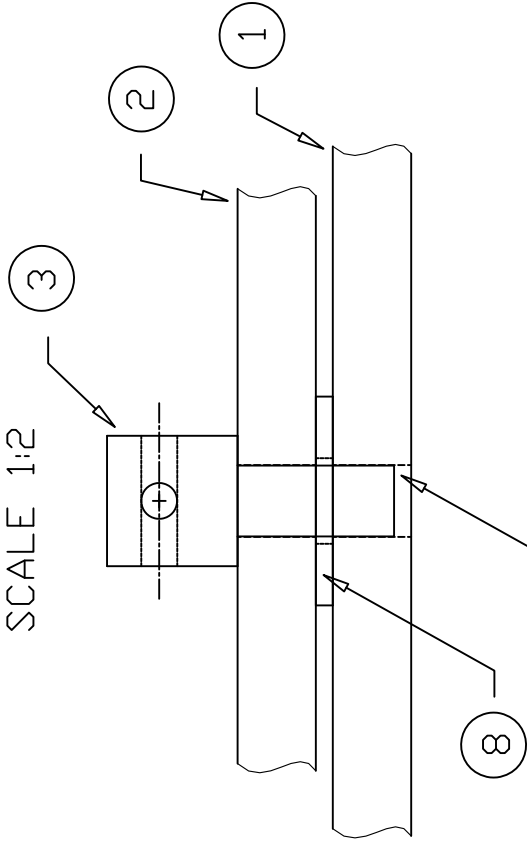


LEVEL WITH ITEM 1

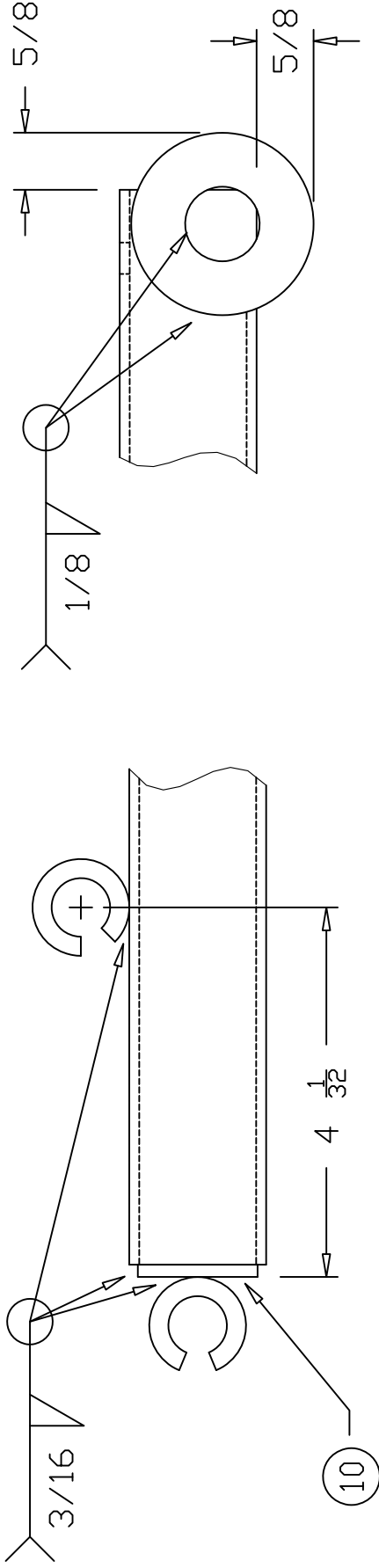
LEAVE A FEW THOU
BETWEEN BAR SO THEY
CAN ROTATE FREELY



DETAIL A
SCALE 1:2

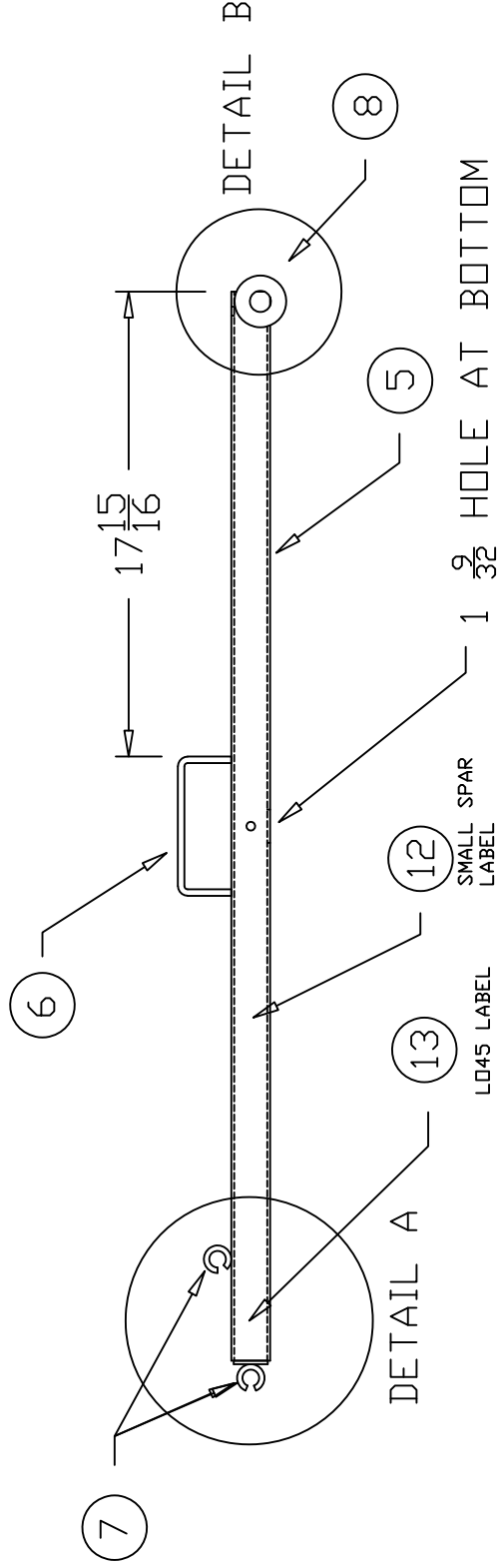


PART NAME: BASE BAR ASSEMBLY		DATE: JULY 22, 02
PART NO: FOLDP-A1		DRAWN BY: J. CHAN
QUANTITY:	ITEM NO:	SCALE: 1 : 8
USED ON: FOLDING PERIMETER WARNING LINE		
MATERIAL:		
ROUTE:		
SPAR-MARATHON ROOFING SUPPLIES		



DETAIL A
SCALE 1:2

DETAIL B
SCALE 1:2



1	ITEM 9,11,12 NUMBER CHANGED	RDS	JUN 14,11
NO.	REVISION	BY	DATE
PART NAME: HANDLE / POST ASSEMBLY			
PART NO: FOLDP-A2		REF DWG NO:	
QUANTITY:		ITEM NO:	DATE: JULY 22, 02
USED ON: FOLDING PERIMETER WARNING LINE		SCALE: 1 : 8	DRAWN BY: J. CHAN

SPAR-MARATHON ROOFING SUPPLIES

MATERIAL:
ROUTE: