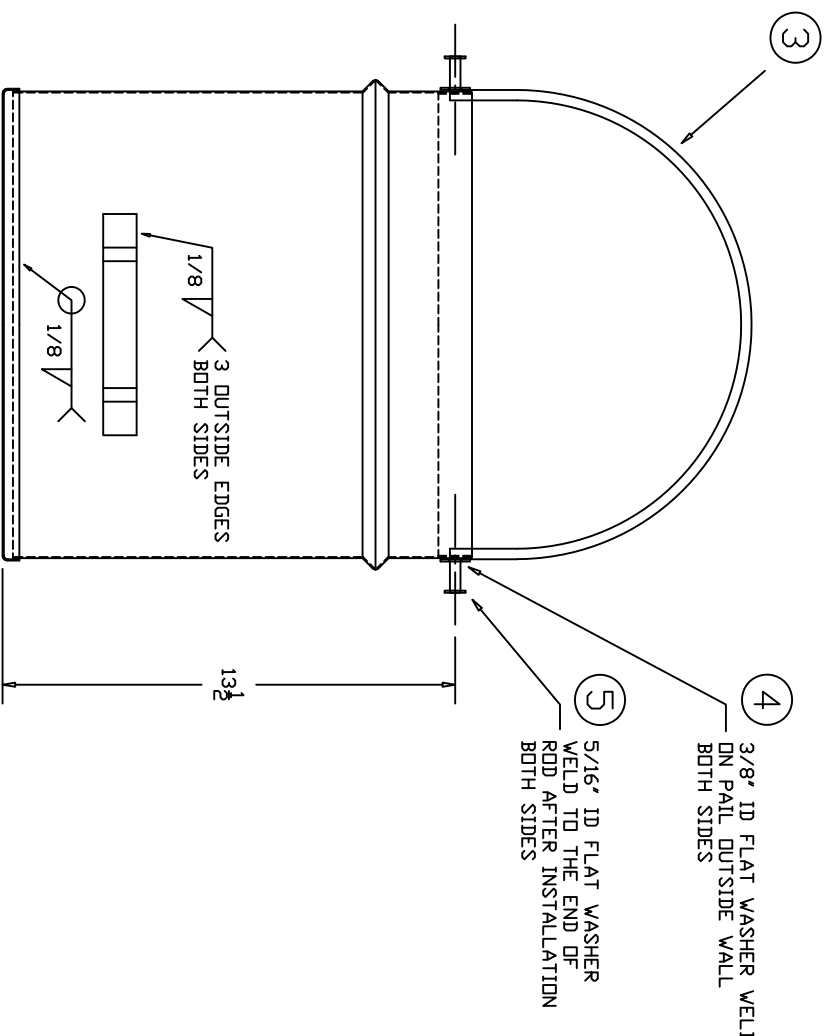
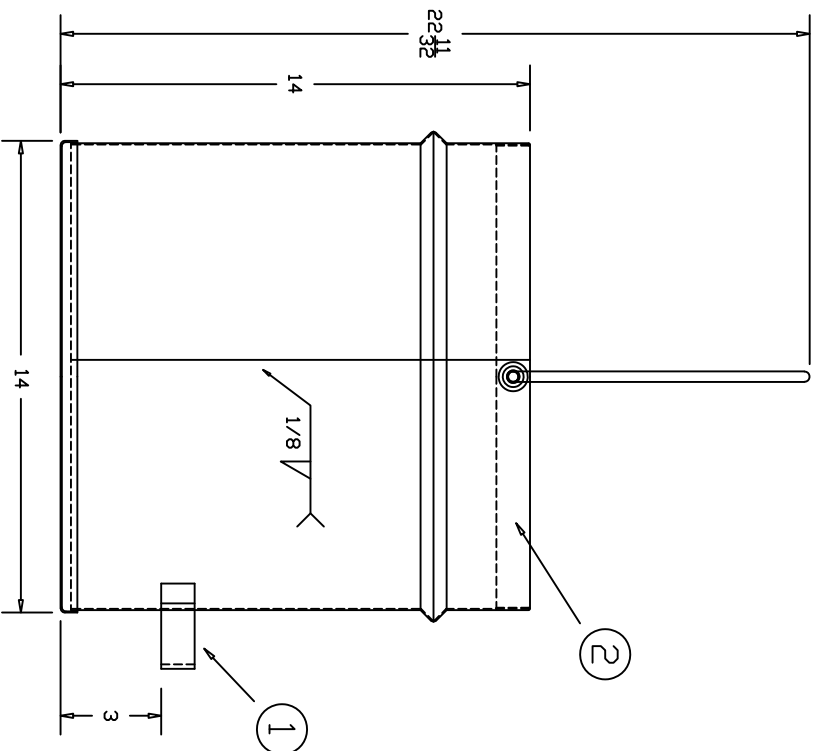


ITEM	QTY	MATERIAL
1	1	10GA X 1 X 10 LG
2	1	20GA X 15 X 44 3/4 LG
3	1	5/16 Ø ROD X 27 LG
4	2	3/8 ID FLAT WASHER
5	2	5/16 ID FLAT WASHER
6	1	20GA X 14 ID DIA. X 1/2 HIGH BOTTOM



④ 3/8" ID FLAT WASHER WELD ON PAIL OUTSIDE WALL BOTH SIDES

⑤ 5/16" ID FLAT WASHER WELD TO THE END OF ROD AFTER INSTALLATION BOTH SIDES

SPAR-MARATHON ROOFING SUPPLIES

SCALE: 1" = 6"

DATE: MARCH 20, 1966

PART NAME: 14' PAIL ASSEMBLY

APPROVED BY: [Signature]

REVISION: [Signature]

DRAWING NUMBER: PAIL14