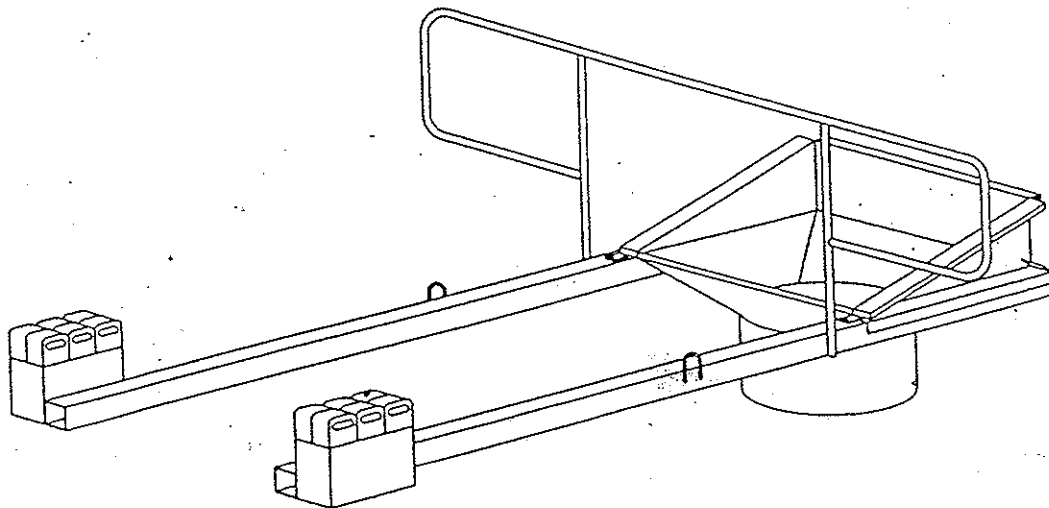


## TRASH HOPPER COUNTERWEIGHT SYSTEM

Instruction and safety information

Read before operating the Trash Hopper Counterweight System



3689 Weston Road  
Weston, ON, Canada M9L 1W4  
P: (416) 745-4111  
F: (416) 745-6773

- Pickering, ON
- Toronto (Bloor St.), ON
- Toronto (Wade Ave.), ON
- Weston (Weston Rd.), ON
- Weston (Signet Dr.), ON
- Barrie, ON
- Oakville, ON
- Hamilton, ON
- London, ON
- Edmonton, AB
- Calgary, AB
- Winnipeg, MB

# **TRASH HOPPER COUNTERWEIGHT SYSTEM**

## **Introduction**

SPAR-Marathon Trash Hopper Counterweight System is designed for easy set up, take down, storage and transportation. The Trash Hopper Counterweight System provides a fast, safe and dust-free way for debris offloading and roof edge protection to remove debris from the roof or other elevated levels

## **Parameters**

Length	: 144"
Width	: 118"
Height	: 45"
Weight	: 400Lbs
	: 1060Lbs (with counter weights)

## **Instruction and safety information**

Read before operating the Trash Hopper Counterweight System

### **Warning**

- Do not erect the Trash Hopper Counterweight System near overhead cables, electrical power lines or wires.
- Erect Trash Hopper Counterweight System on firm and level roof.
- Tighten all bolts and nuts securely and clip all locking pins to prevent Trash Hopper Counterweight System failure, which may cause damage or injury.
- Always keep the instruction manual with the equipment for reference.
- Only solid steel ballast counterweights provided (12 pieces each 55 pounds) are to be used for this Trash Hopper Counterweight System.
- Maximum of twenty-five (25) sections of chute can be installed on the Trash Hopper Counterweight System.
- All counterweight (660 lbs) must be used and placed in the two ballast trays before installing the trash hopper.

Warning labels have been included on the equipment. If the warning labels wear off, please request new ones.

Misuse of the Trash Hopper Counterweight System may result in injury or damage. SPAR-Marathon provides instructions for its safe use and relies on the purchaser to ensure that these instructions are given to the personnel who will actually be using the equipment. It is the responsibility of the purchaser to ensure that the personnel operating the Trash Hopper Counterweight System are trained in the proper operating procedures and all safety regulations.

The employer shall instruct each employee in the recognition and avoidance of unsafe conditions and the regulations applicable to work environment to control or eliminate any hazards or other exposure to illness or injury.

Regulations governing the use, selection and maintenance of personal protective and lifesaving apparatus regulations must be followed.

The SPAR-Marathon Trash Hopper Counterweight System is designed and manufactured for removing rubbish and debris only. Any other use of this equipment will void any warranty or responsibility, expressed or implied, on the part of the manufacturer.

Only experienced personnel should operate the Trash Hopper Counterweight System.

All the regulations applicable to the use of chutes must be followed.

### **⚠ Warning**

This equipment is NOT TO BE USED on work sites that are not compliance with the OHSA/OSHA standards. Special emphasis shall be placed on, but not limited to,  
In Ontario, Canada: Section 26 to 26.10, 35 and 207  
In USA: part 1926, subpart M, section 1926.252, 1926.500,  
1926.501, 1926.502, 1926.503 and 1926.852

Regarding:

Guarding floor openings and holes.

Guarding roof edges by use of motion stopping safety systems (MSS) and properly installed warning line systems.

Providing employee training as specified.  
Chutes regulations.  
For complete guidelines, see OHSA/OSHA.

### **Assembling the Trash Hopper Counterweight System**

- 1) Move all the pieces of the Trash hopper counterweight system to the roof and place them far away from the roof edge.
- 2) Place one 4 X 4 rail approximate 39 <sup>3</sup>/<sub>4</sub> inches out to the roof edge with about <sup>1</sup>/<sub>2</sub> the trash hopper lock on the rail is inside the roof edge.
- 3) Level the rail with solid plank or extra counter weight at the bottom of the rail and ballast tray. The ballast tray should be place outside of the walkway.
- 4) Set-up the other rails same as the first one and keeps the two rails 39 inches apart.
- 5) Place the 12 pieces of counterweight into the two ballast trays on both rails.
- 6) Place the trash hopper between the two rails out side the roof edge making sure that the trash hopper rail bracket is sitting properly on the two rails and against the stoppers at the end of the rails.
- 7) Lock the trash hopper in place with the two locks on the rails
- 8) Insert the guardrail into the two mounting holes at the outside of the rails and lock with clip pins provided.

### **Operating Caution**

Make sure every load of debris dumped is discharge into a container and no debris is caught in the chute. Accumulation of caught debris will cause the Trash Hopper Counterweight system to tip over and will cause serious damage or injury. If debris stuck occurs, make sure to unclog the debris before using the chute again.

Cover the trash hopper with wood board when the chute is not in use.