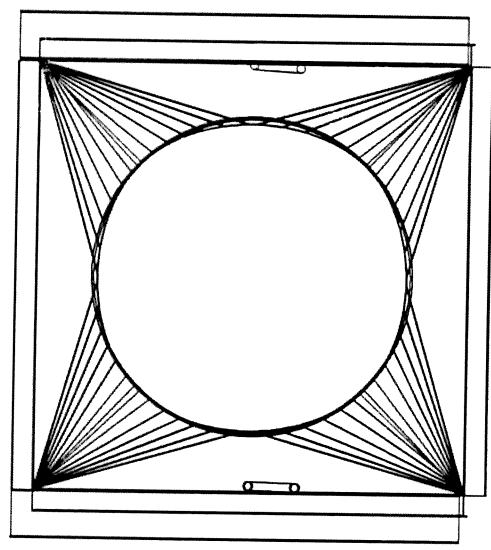
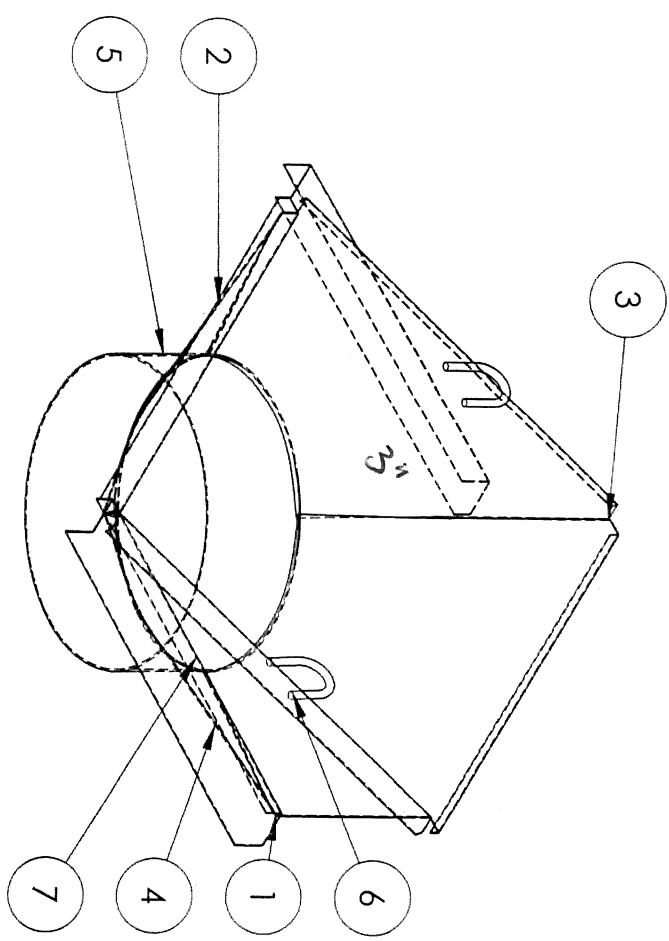


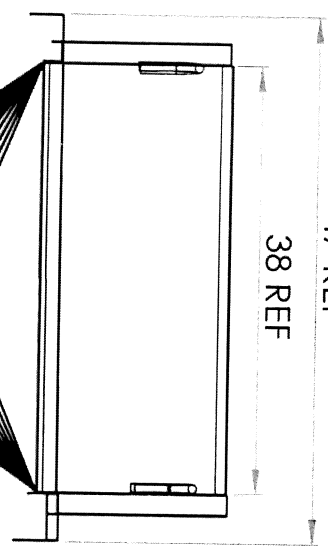
4



B



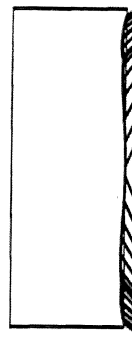
B



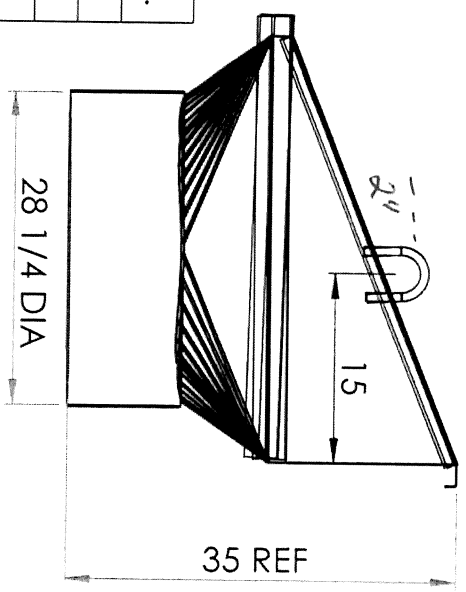
47 REF

38 REF

A



A



ITEM NO.	PART NUMBER	DESCRIPTION	QTY.
1	back		1
2	front		1
3	left		1
4	Right		1
5	collar		1
6	lifting eye		2
7	support		2

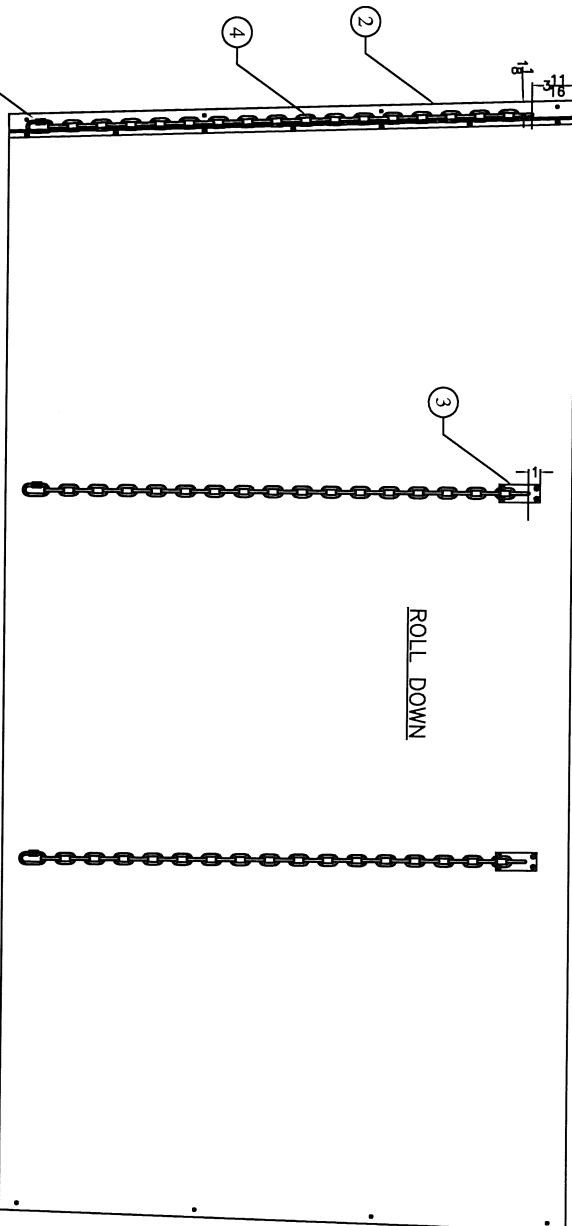
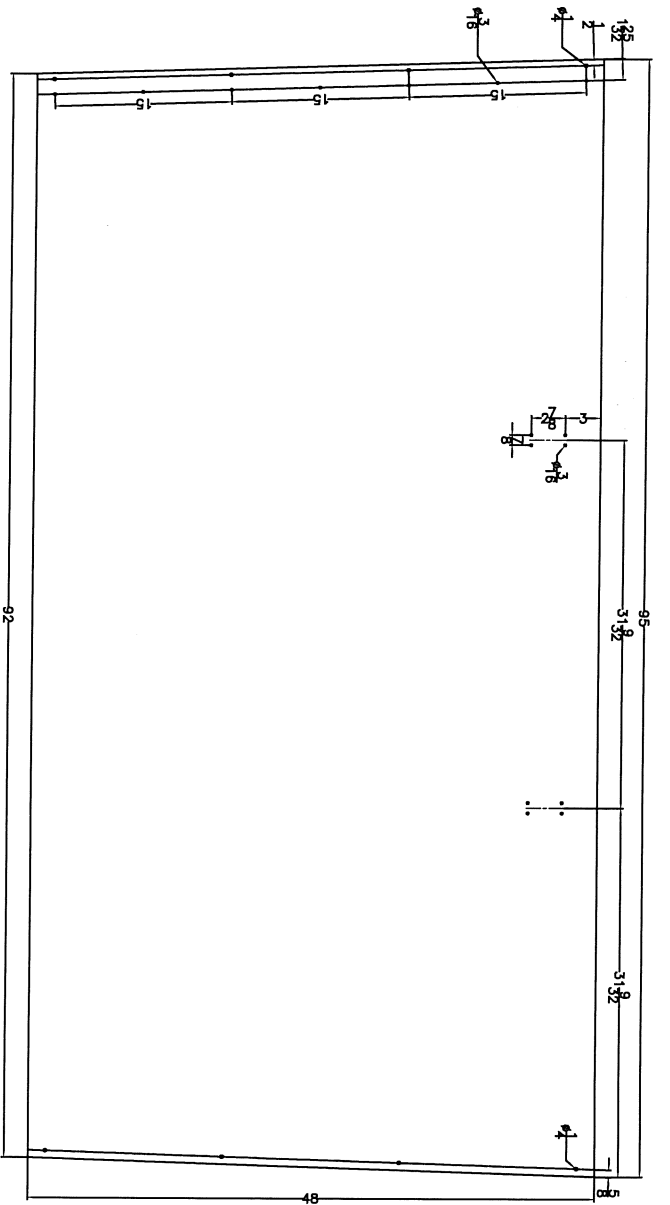
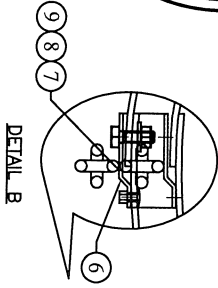
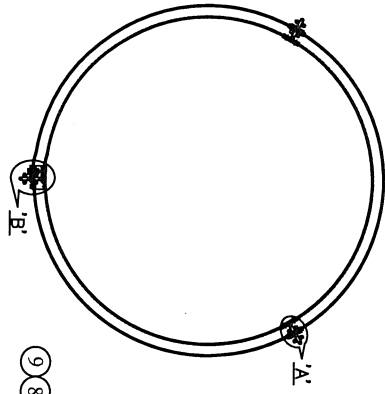
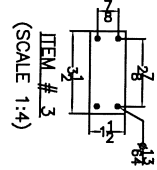
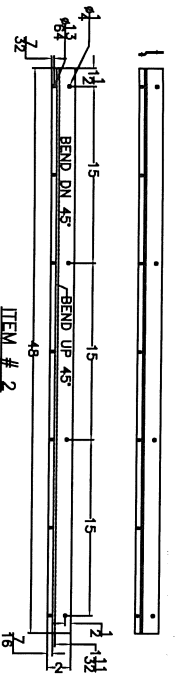
SIZE DWG. NO. REV

Trash Hooper

SCALE: 1:20 WEIGHT: SHEET 1 OF 1

2

1



ROLL DOWN

ITEM #	DESCRIPTION	MATERIAL	QTY	DRAWING #
9	FLAT WASHER 1/4	PARTS	4	N/A
8	HEX NUT 1/4 UNC	PARTS	4	N/A
7	HEX BOLT 1/4 UNC X 3/4 LG	PARTS	4	N/A
6	3/16 X 1/4 GRIP LARGE FLANGE RIVETS	PARTS	15	N/A
5	1/4 QUICK LINK	PARTS	3	N/A
4	1/4 PLATED CHAIN X 42 LG	HRS	3	N/A
3	14 GA X 1 1/2 X 3 1/2	SATIN COATED	4	N/A
2	14 GA X 2 X 48	HDFE	1	N/A
1	96 X 48 X 1/8 THK (BLACK)	HDFE	1	N/A

SPAR-MARATHON ROOFING SUPPLIE

TRASH CHUTE

DATE: NOV 26, 2014

DRAWING NUMBER: 65

SCALE: 1:8