

## PR 100 GUARD RAIL

### Instruction and Safety Information



PR 100 Compression Bkt.  
Mount with Wooden Guard Rail

88 Signet Drive  
Weston, ON M9L 1T3  
Tel: (416)-744-2050  
Fax: (416)-744-4247

- Pickering, ON
- Toronto (Bloor St.), ON
- Toronto (Wade Ave.), ON
- Weston (Weston Rd.), ON
- Weston (Signet Dr.), ON
- Barrie, ON
- Oakville, ON
- Hamilton, ON
- London, ON
- Edmonton, AB
- Calgary, AB
- Winnipeg, MB

# SPAR-Marathon

## ROOFING EQUIPMENT

A division of Spar Roofing & Metal Supplies Limited

### Installation and Maintenance Instructions FOR GUARD RAIL SYSTEM PR 100 PERIMETER GUARD RAIL SYSTEM

---

SAFETY GUARD RAIL PR 100 PERIMETER GUARD RAIL SYSTEM COMPLIES WITH THE REQUIREMENTS OF THE USA FEDERAL OCCUPATIONAL SAFETY AND HEALTH ADMINISTRATION (OSHA) AND ONTARIO OCCUPATIONAL HEALTH AND SAFETY ACT (OHS) WHEN INSTALLED AND USED IN ACCORDANCE WITH THE MANUFACTURERS' INSTALLATION AND MAINTENANCE INSTRUCTION.

---

#### WARNING:

THIS PRODUCT MUST BE USED IN STRICT COMPLIANCE WITH FEDERAL OSHA AND CANADIAN OHS REGULATIONS. FOLLOW ALL SAFETY PRACTICES.

FAILURE TO READ AND FOLLOW INSTRUCTIONS OF THIS PRODUCT COULD RESULT IN PROPERTY DAMAGE OR SERIOUS INJURY.

---

88 Signet Drive  
Weston, ON M9L 1T3  
Tel: (416)-744-2050  
Fax: (416)-744-4247

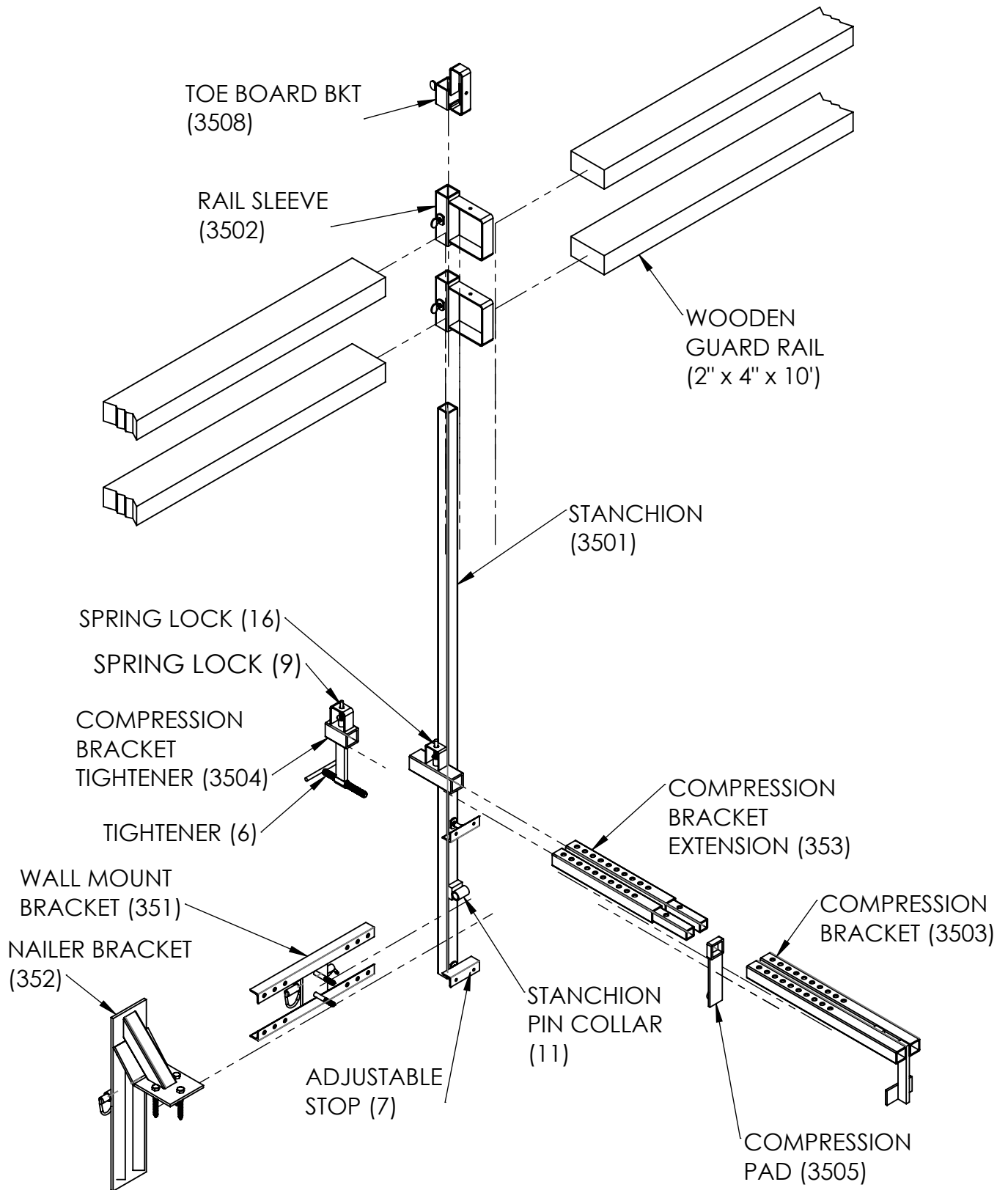
- Pickering, ON
- Toronto (Bloor St.), ON
- Toronto (Wade Ave.), ON
- Weston (Weston Rd.), ON
- Weston (Signet Dr.), ON
- Barrie, ON
- Oakville, ON
- Hamilton, ON
- London, ON
- Edmonton, AB
- Calgary, AB
- Winnipeg, MB

---

WEB SITE: [www.sparmarathonroofing.com](http://www.sparmarathonroofing.com)

---

# PR 100 SYSTEM COMPONENTS



### **CARE AND MAINTENANCE:**

1. Inspect all Safety Guard Rail PR 100 equipment and parts before and after each use to ensure there is no damage or deformation to any of the equipment or parts.
2. Inspect to ensure there is no damage because of rust or corrosion. Discard if necessary.
3. Always handle the Safety Guard Rail PR 100 with care. Pay special attention in checking for splitting, cracking, or deterioration of this equipment; if any, discard at once.
4. Do not throw or drop any of the equipment or parts from a building or heights or onto truck. Always handle with care.
5. Do not use equipment or parts if it has been exposed to extreme heat or cold. Discard at once.

### **GENERAL REQUIREMENTS:**

- \* Always erect and use in accordance with appropriate OSHA and OSHA regulations Follow all applicable Federal, State, Provincial and local SAFETY REGULATIONS
- \* Don't mix and match components from other sources. Use only system components supplied by SPAR-Marathon.

# PR 100 COMPRESSION BRACKET INSTALLATION INSTRUCTIONS

## STEP 1:

Place the Compression Bracket (3503) over the parapet wall with the Tightener (3504) the Compression Pad (3505) to the outside of the wall. Slide the Tightener and Compression Pad on the Compression Bracket (3503) to tighten the bracket on the wall. Lock in the closest hole to the wall by means of the Spring Lock . Tighten completely with the threaded Tightener. Protect the wall / parapet from damage as required.

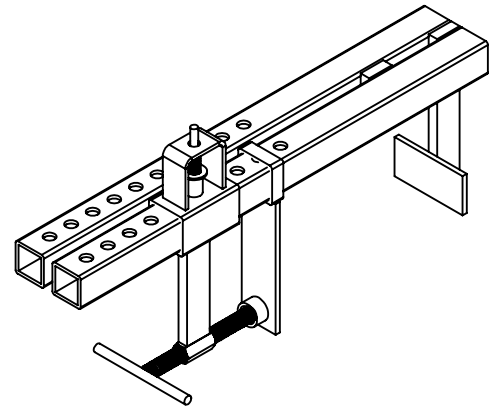
NOTE : Space the Compression Brackets (3503) no more than 8' apart.

## STEP 2.

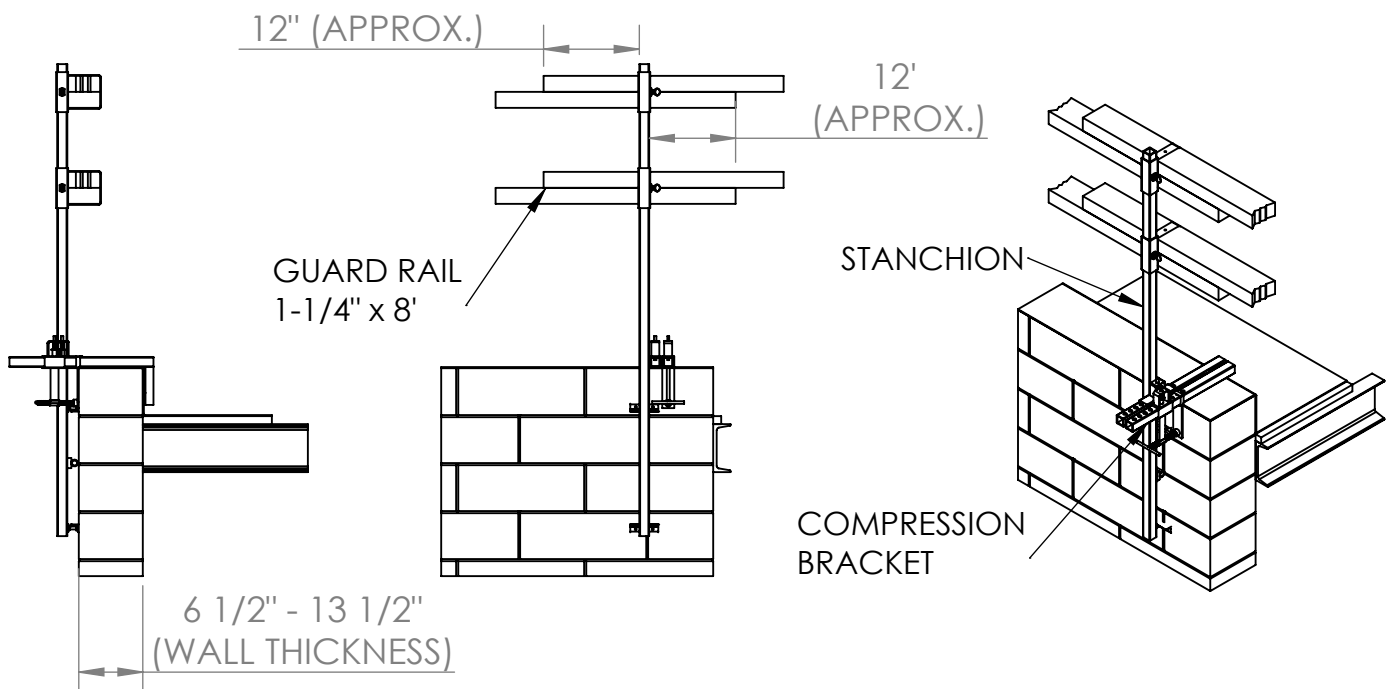
Fit the Stanchion (3501) by means of the Stanchion Guide on the Compression Bracket (3503) and slide the Stanchion as close to the wall as possible and lock in place with the Spring Lock. Adjust the top Adjustable Stop to touch the parapet wall. Ensure that the assembly is secure and no excessive movement exists.

## STEP 3.

Install the Rail Sleeves (3507) with rail guides facing inward and tighten the thumb screws to accommodate proper height and spacing for Guard Rails (GR) as per regulations. Install 2"x4" Wooden Guard Rails (GR) in accordance with appropriate federal, state, OSHA and OHSA regulations. Nail or Screw overlapping Guard rails together using holes in Rail Sleeve. (3502). Make sure a approx. 12" of the rail protrudes out.



PR 100  
COMPRESSION  
BRACKET



## PR 100 NAILER BRACKET INSTALLATION INSTRUCTIONS

### STEP 1.

Set the Nailer Bracket on top of wood nailer as in diagram.

### STEP 2.

Drill 3/16" holes, through holes provided in Nailer Bracket, into wood nailer. Insert 3 qty. 5/16 x 2" lag bolts into holes and tighten the same.

### STEP 3.

Install the stanchion with the pin collar and adjustable stop facing the vertical plate of the Nailer Bracket so that the stanchion collar sits in the Nailer Bracket Pin Collar. Fasten together with collar pin.

### STEP 4.

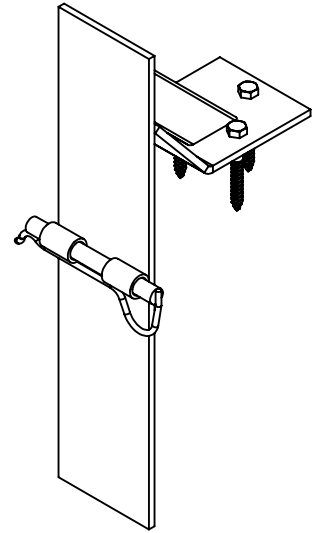
Adjust lower stopper out 3/4 of thread length (approx. 1 1/4"). Push out firmly on stanchion and adjust upper stopper out to Nailer Bracket Plate.

### STEP 5.

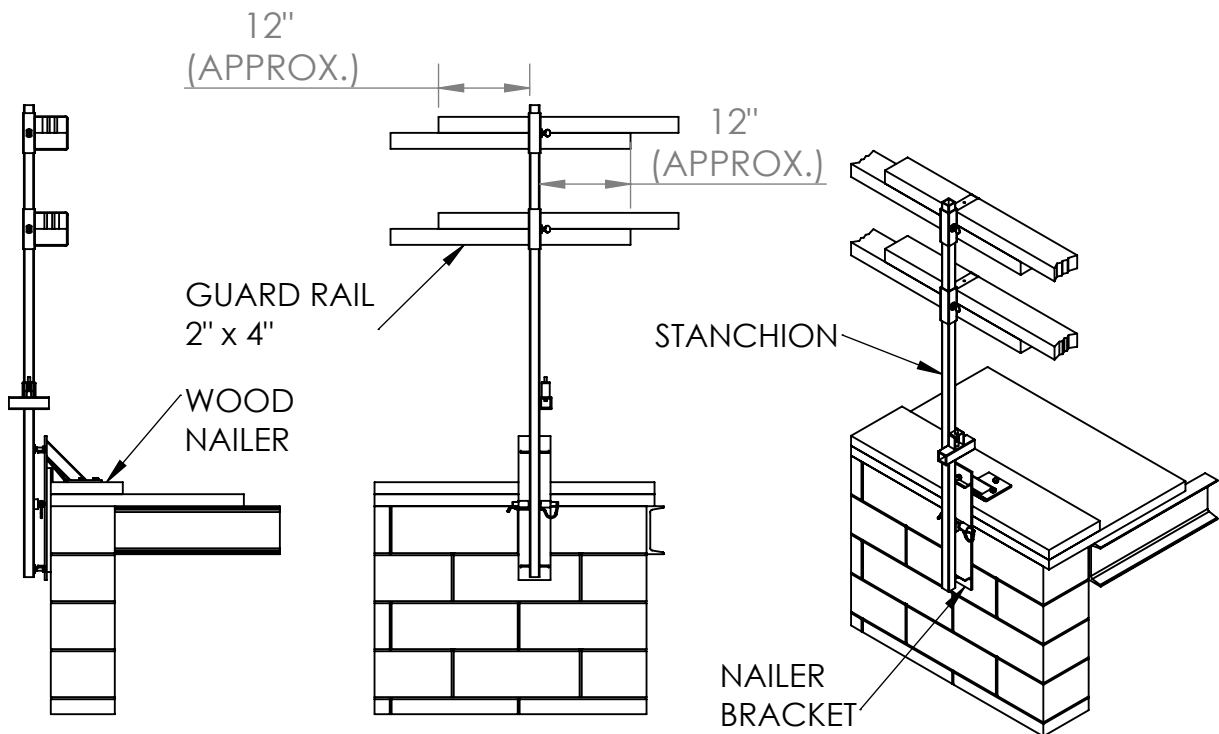
Adjust guides and 2" x 4" Guard Rails as per step 3 standard guidelines.

\* Always be sure wood nailer is properly fastened to deck

\* Maximum spacing between Nailers is 8'.



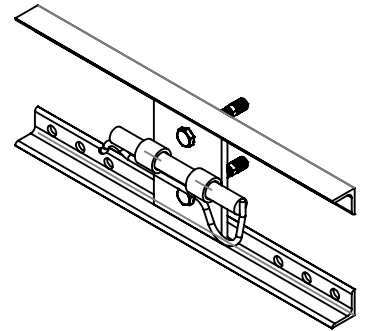
**PR 100**  
**NAILER**  
**BRACKET**



# PR 100 WALL MOUNT BRACKET INSTALLATION INSTRUCTIONS

## STEP 1.

The Wall Mount Bracket when attached to concrete wall or concrete block wall, must be attached securely with 2 qty. of 1-1/2" x 1/4" of wedge type anchor bolts or other expansion bolts rated at 2000 pounds or higher. When attached to a solid wood structure, use 2 qty. of minimum 3" x 3/8" lag bolts. Mount the Wall Bracket so that the stanchion will align in a vertical plane and will allow a minimum of 42" guardrail with the adjustable guide as required in the regulations. Ensure that the wall bracket is securely attached and the material is solid and strong enough to adequately support the stanchion and guardrail and any load it will be required to resist.



## STEP 2.

Install the stanchion with the Pin Collar and adjustable stops facing the wall. Place the Stanchion in the Wall Mount Bracket so that the Stanchion Collar sits in the Wall Mount Pin Collar. Fasten together with Collar Pin; thread in to ensure secure attachment. Screw out the adjustable stops so that they touch the wall.

PR 100  
WALL MOUNT  
BRACKET

\* Stanchions must not be spaced more than 8' apart.

## STEP 3.

Install the Adjustable Guides with rail guides facing inward and tighten the thumb screws to accommodate proper height and spacing for Guard Rails as per regulations. Install 2" x 4" wooden Guard Rails (GR) in accordance with the appropriate federal and state OSHA and Ontario OHSA regulations. Nail or screw overlapping Guard rails together using holes in Rail Sleeve (3502). If required by regulations install 1" x 4" Toe Board (TB) using Toe Board Bracket; tighten with thumb screw.

